

BRM80-98ETT

90 IPERLOTUS TOUCH

ELECTRIC TILTING BRATTPANS - TOUCH

Braising pan with motorized tank, capacity 80 liters cm.72x56x22,5h. Touch Screen 4,3", max temperature 300°C with PID control. "Energy Saving, WiFi and CLOUD". Functions: 2 timer, water loading, tilting up and down. Stainless steel bottom with lid



Construction - Fabricated using CrNi 18/10 AISI 304 grade Stainless Steel Scotch-Brite Satin polish Finish, incorporating 2mm thick worktop, rounded edges, chromed details and rear splash back. S/s bottom tanks. Knobs with waterproof grades IPX5 and 4.3" capacitive touch screen. Model - Professional electric tilting braising pan, equipped with a large tank, 80 and 120 litres, with a thick thermo-diffuser bottom. Motorized tilting device (80°) that allows perfect emptying. Display with thermostatic adjustment up to 300°C with PID algorithm for precise control of the set temperature, 2 timers maximum 99 minutes, water filling button via solenoid valve. Display buttons for bowl lifting and lowering. Equipped with safety thermostat. Standard WiFi and CLOUD, designed for connection to an external "ENERGY SAVING" system. Fittings - Appliance is supplied with adjustable feet.



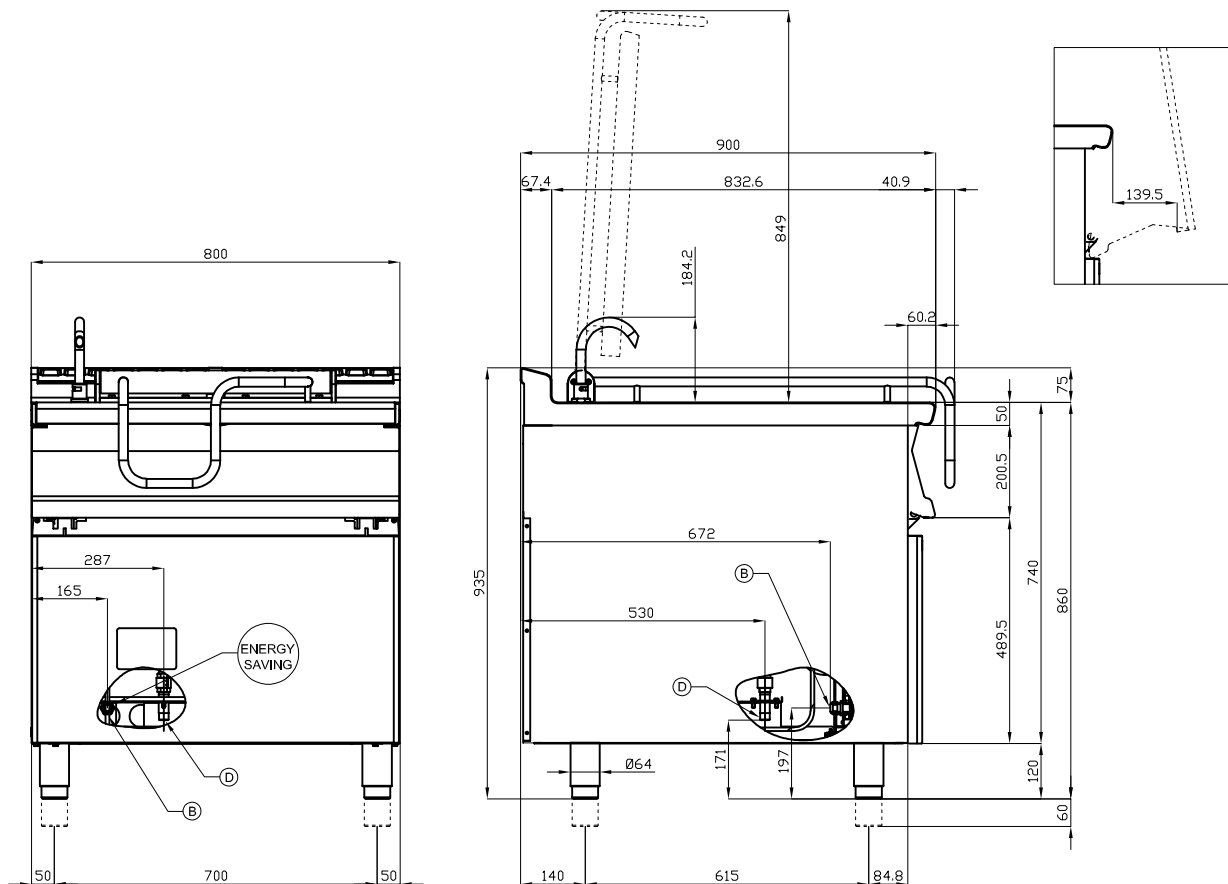
ITALIAN CULINARY ART

The pictures are purely representative. The manufacturer reserves the right to modify the technical data and models without previous notice.

BRM80-98ETT

90 IPERLOTUS TOUCH

ELECTRIC TILTING BRATTPANS - TOUCH



A	Data plate		B	Electrical connection	
D	Cold water connection	ISO 7-1 3/4" M			

MODEL: BRM80-98ETT
 DIMENSIONS: cm. 80x 90x 90h
 ELECTRIC POWER: 12,1 kW
 VOLTAGE: 400V~3N
 FREQUENCY: 50/60 Hz



kg: 162
 m³: 0.894
 mm: 830x970x1110

BUY LOTUS BUY ITALY

The pictures are purely representative. The manufacturer reserves the right to modify the technical data and models without previous notice.



LOTUS S.P.A. Via Calmaor, 46
 31020 San Vendemiano(TV) - Italy
 Tel. + 39 0438 778020 / 778468
 Fax + 39 0438 778277
 www.lotuscookers.it - lotus@lotuscookers.it