

BRFD-84ET

ELECTRIC FREELOTUS

FIXED ELECTRIC BRATT PANS 80

Electric multi-function fixed braising pan -
Bowl cm. 32,5x64,5x10h



Construction - Fabricated using CrNi 18/10 AISI 304 grade Stainless Steel Scotch-Brite Satin polish Finish, incorporating 2 mm thick worktop, chromed details. Model - Professional Electric Bratt Pan with 100mm deep fixed single tank with highly efficient conductive stainless steel base, thermostatically controlled up to 300deg C. Fittings - Fixing system.



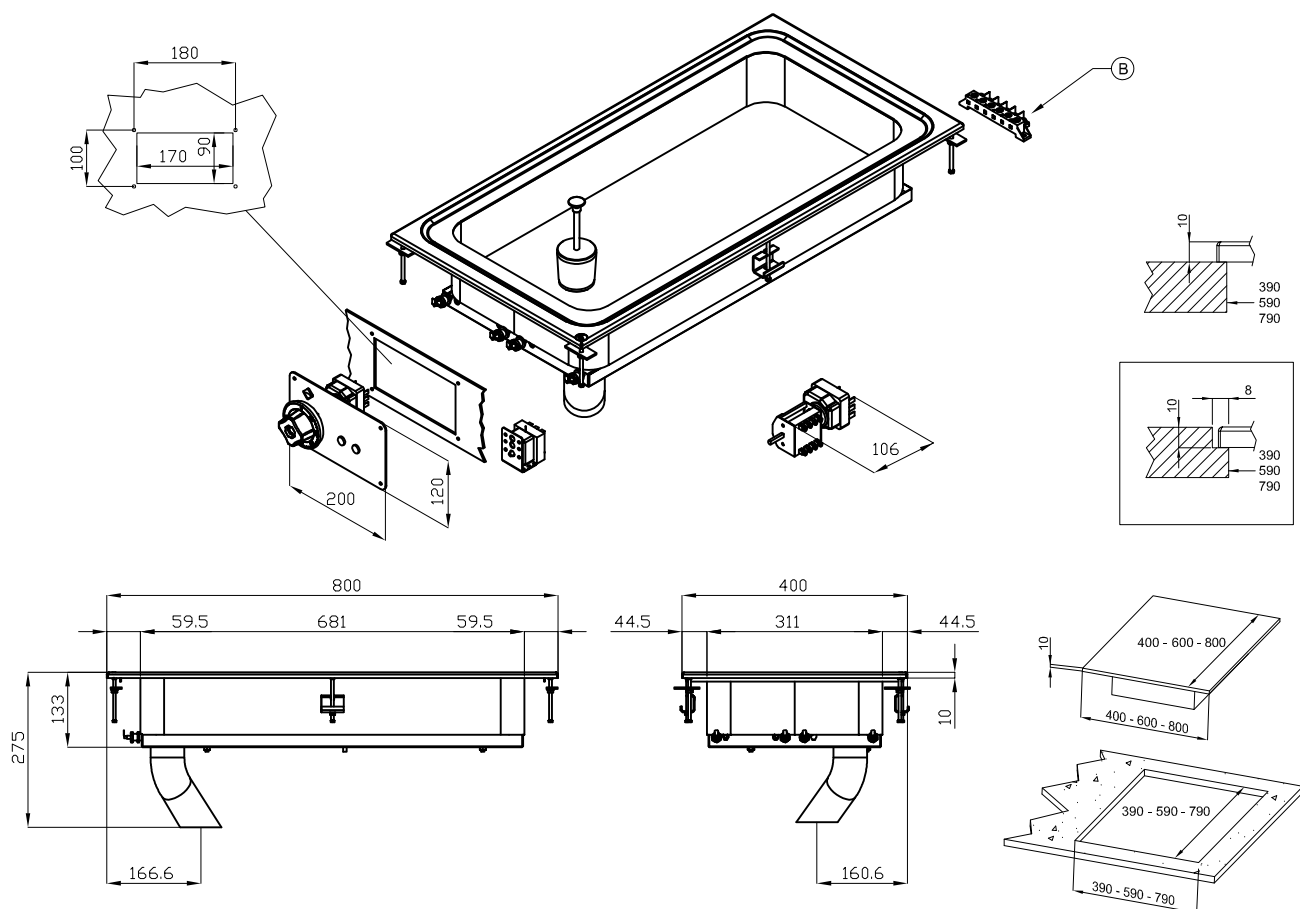
ITALIAN CULINARY ART

The pictures are purely representative. The manufacturer reserves the right to modify the technical data and models without previous notice.

BRFD-84ET

ELECTRIC FREELOTUS

FIXED ELECTRIC BRATT PANS 80



| | | | |
|---|------------|---|-----------------------|
| A | Data plate | B | Electrical connection |
|---|------------|---|-----------------------|

MODEL: BRFD-84ET
 DIMENSIONS: cm. 40x 80x 28h
 ELECTRIC POWER: 7,5 kW
 VOLTAGE: 400V~3N
 FREQUENCY: 50/60 Hz



kg: 60
 m³: 0.225
 mm: 430x970x540

BUY LOTUS BUY ITALY

The pictures are purely representative. The manufacturer reserves the right to modify the technical data and models without previous notice.



LOTUS S.P.A. Via Calmaor, 46
 31020 San Vendemiano(TV) - Italy
 Tel. + 39 0438 778020 / 778468
 Fax + 39 0438 778277
 www.lotuscookers.it - lotus@lotuscookers.it