

# BRFD-68ET

ELECTRIC FREELOTUS

FIXED ELECTRIC BRATT PANS 60

Electric multi-function fixed braising pan -  
Bowl cm. 70x51x10h



Construction - Fabricated using CrNi 18/10 AISI 304 grade Stainless Steel Scotch-Brite Satin polish Finish, incorporating 2 mm thick worktop, chromed details. Model - Professional Electric Bratt Pan with 100mm deep fixed single tank with highly efficient conductive stainless steel base, thermostatically controlled up to 300deg C. Fittings - Fixing system.



ITALIAN CULINARY ART

The pictures are purely representative. The manufacturer reserves the right to modify the technical data and models without previous notice.

# BRFD-68ET

ELECTRIC FREELOTUS

FIXED ELECTRIC BRATT PANS 60

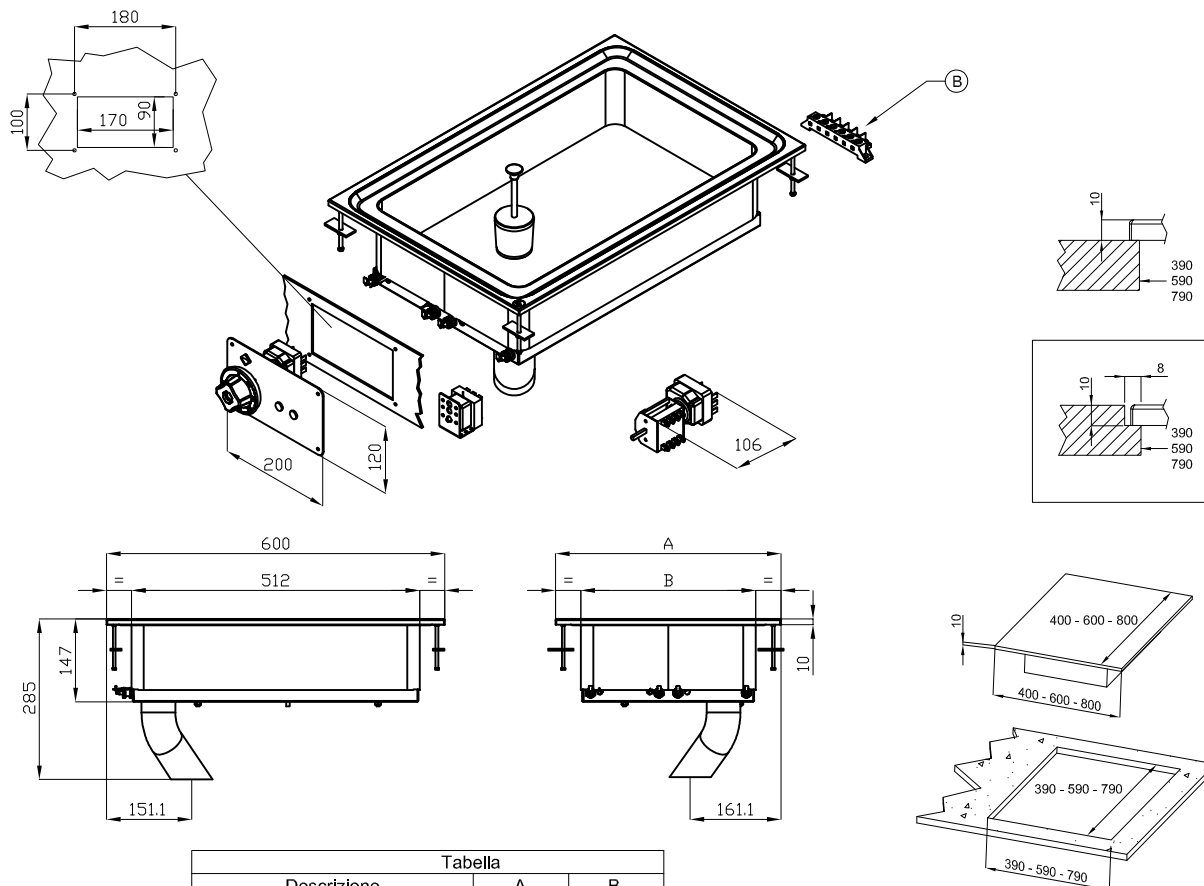
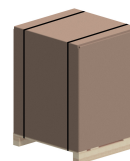


Tabella		
Descrizione	A	B
BRFD-64ET	400 mm	310 mm
BRFD-68ET	800 mm	710 mm

A	Data plate		B	Electrical connection	
---	------------	--	---	-----------------------	--

MODEL: BRFD-68ET  
 DIMENSIONS: cm. 80x 60x 28h  
 ELECTRIC POWER: 8 kW  
 VOLTAGE: 400V~3N  
 FREQUENCY: 50/60 Hz



kg: 65  
 m<sup>3</sup>: 0.32  
 mm: 1080x630x470

BUY LOTUS BUY ITALY

The pictures are purely representative. The manufacturer reserves the right to modify the technical data and models without previous notice.



LOTUS S.P.A. Via Calmaor, 46  
 31020 San Vendemiano(TV) - Italy  
 Tel. + 39 0438 778020 / 778468  
 Fax + 39 0438 778277  
 www.lotuscookers.it - lotus@lotuscookers.it