

BRF-98ETT

90 IPERLOTUS TOUCH

FIXED ELECTRIC BRATT PANS - TOUCH

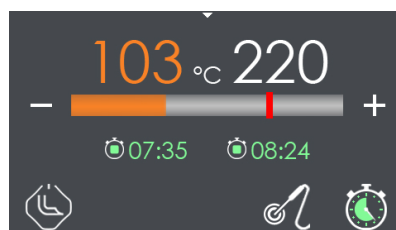
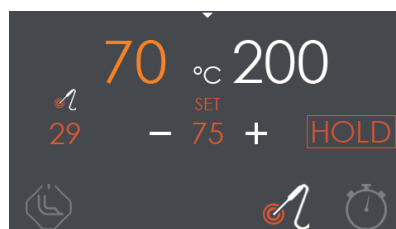


View 3D

Electric multi-function fixed braising pan
Bowl cm. 72,5x64,5x10h, 2 cooking areas.
Touch Screen 4,3", temperature 300°C with
PID control. "Energy Saving, WiFi and
CLOUD". Functions: 2 timer, core probe for
direct cooking (OPTIONAL). (included 1 Head
end filler strip mod.TPA-9)



Construction - Fabricated using CrNi 18/10 AISI 304 grade Stainless Steel Scotch-Brite Satin polish Finish, incorporating 2mm thick worktop, rounded edges, chromed details and rear splash back. Knobs with waterproof grades IPX5 and 4.3" capacitive touch screen. Model - Professional electric multi-function fixed braising pan equipped with a fixed tank h=100 with a thick s/s thermo-diffuser bottom. Display with thermostatic adjustment up to 300°C with PID algorithm for precise control of the set temperature, 2 timers maximum 99 minutes. With the OPTIONAL core probe it is possible to activate the menu for controlled core cooking. Equipped with a safety thermostat. Standard WiFi and CLOUD, designed for connection to an external "ENERGY SAVING" system. Extractable drip tray. Maintenance - All serviceable parts are accessible by the easy removal of front dashboard. Fittings - Appliances supplied with adjustable feet.



ITALIAN CULINARY ART

The pictures are purely representative. The manufacturer reserves the right to modify the technical data and models without previous notice.

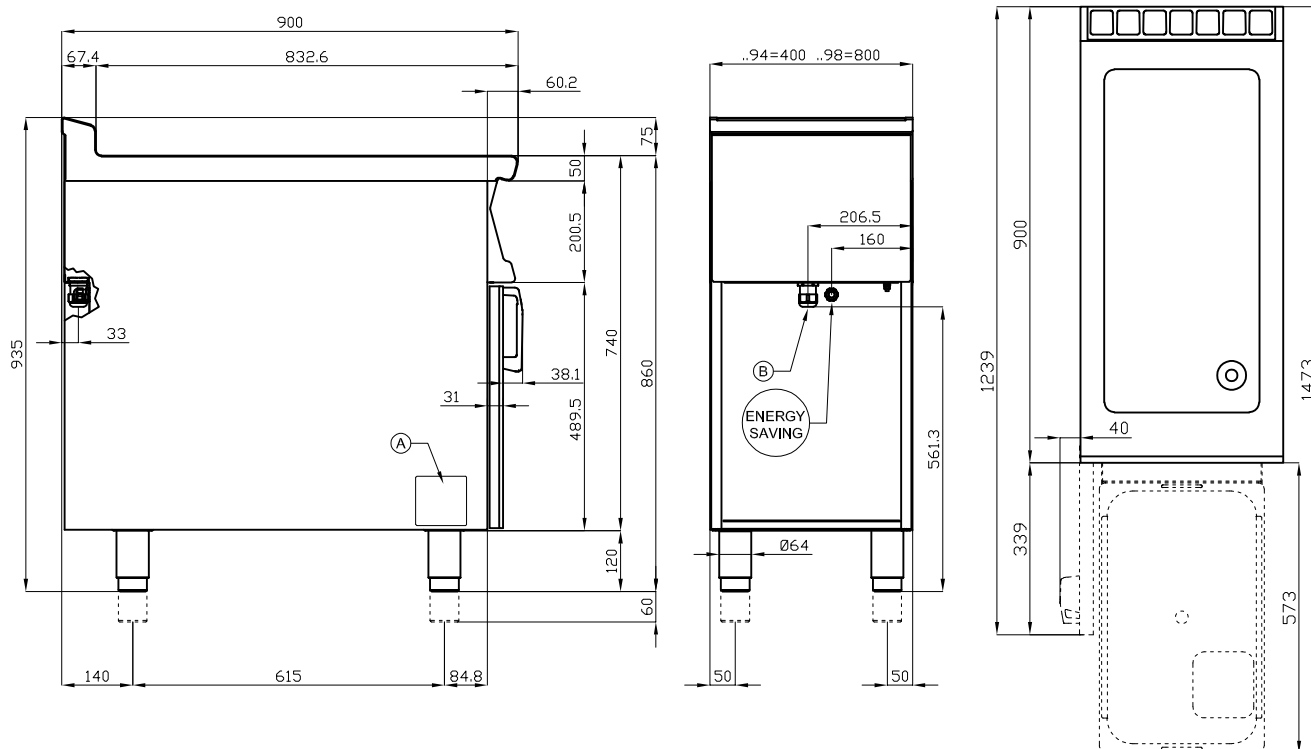
BRF-98ETT

90 IPERLOTUS TOUCH

FIXED ELECTRIC BRATT PANS - TOUCH



View 3D



A	Data plate	B	Electrical connection
---	------------	---	-----------------------

MODEL: BRF-98ETT
 DIMENSIONS: cm. 80x 90x 90h
 ELECTRIC POWER: 15 kW
 VOLTAGE: 400V~3N
 FREQUENCY: 50/60 Hz



kg: 126
 m³: 0.894
 mm: 830x970x1110

BUY LOTUS BUY ITALY

The pictures are purely representative. The manufacturer reserves the right to modify the technical data and models without previous notice.



LOTUS S.P.A. Via Calmaor, 46
 31020 San Vendemiano(TV) - Italy
 Tel. + 39 0438 778020 / 778468
 Fax + 39 0438 778277
 www.lotuscookers.it - lotus@lotuscookers.it