

# BRF-94ETT

90 IPERLOTUS TOUCH

FIXED ELECTRIC BRATT PANS - TOUCH

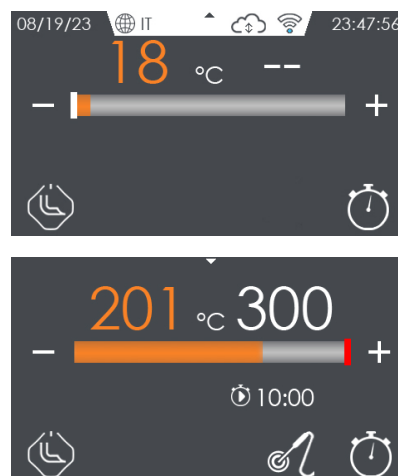


View 3D

Electric multi-function fixed braising pan  
Bowl cm. 32,5x64,5x10h. Touch Screen 4,3",  
temperature 300°C with PID control. "Energy  
Saving, WiFi and CLOUD". Functions: 2 timer,  
core probe for direct cooking (OPTIONAL).  
(included 1 Head end filler strip mod.TPA-9)



Construction - Fabricated using CrNi 18/10 AISI 304 grade Stainless Steel Scotch-Brite Satin polish Finish, incorporating 2mm thick worktop, rounded edges, chromed details and rear splash back. Knobs with waterproof grades IPX5 and 4.3" capacitive touch screen. Model - Professional electric multi-function fixed braising pan equipped with a fixed tank h=100 with a thick s/s thermo-diffuser bottom. Display with thermostatic adjustment up to 300°C with PID algorithm for precise control of the set temperature, 2 timers maximum 99 minutes. With the OPTIONAL core probe it is possible to activate the menu for controlled core cooking. Equipped with a safety thermostat. Standard WiFi and CLOUD, designed for connection to an external "ENERGY SAVING" system. Extractable drip tray. Maintenance - All serviceable parts are accessible by the easy removal of front dashboard. Fittings - Appliances supplied with adjustable feet.



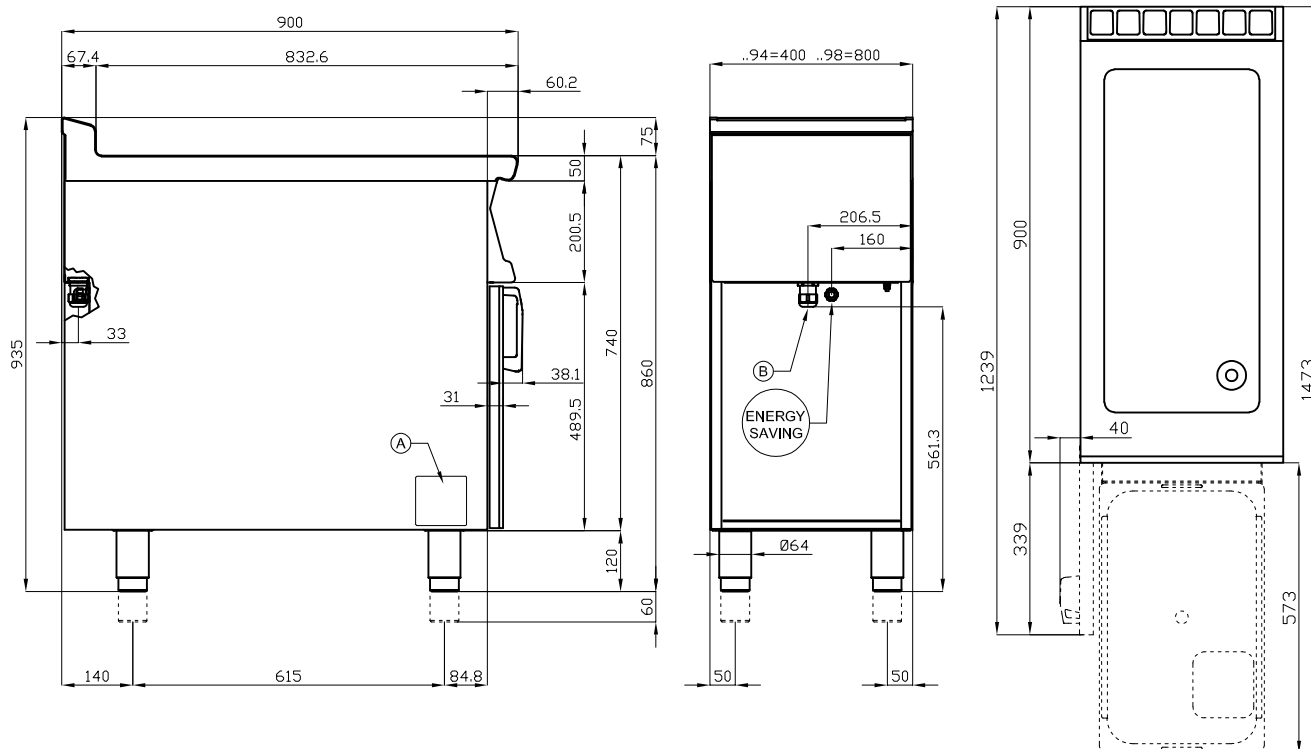
ITALIAN CULINARY ART

The pictures are purely representative. The manufacturer reserves the right to modify the technical data and models without previous notice.

# BRF-94ETT

90 IPERLOTUS TOUCH

FIXED ELECTRIC BRATT PANS - TOUCH



A	Data plate	B	Electrical connection
---	------------	---	-----------------------

MODEL: BRF-94ETT  
 DIMENSIONS: cm. 40x 90x 90h  
 ELECTRIC POWER: 7,5 kW  
 VOLTAGE: 400V~3N  
 FREQUENCY: 50/60 Hz



kg: 79  
 m<sup>3</sup>: 0.463  
 mm: 430x970x1110

BUY LOTUS BUY ITALY

The pictures are purely representative. The manufacturer reserves the right to modify the technical data and models without previous notice.



LOTUS S.P.A. Via Calmaor, 46  
 31020 San Vendemiano(TV) - Italy  
 Tel. + 39 0438 778020 / 778468  
 Fax + 39 0438 778277  
 www.lotuscookers.it - lotus@lotuscookers.it