

# BMT-74G

## 70 SUPERLOTUS TOP GAS BAIN MARIE - TOP

Gas bain-marie - Bowl for GN 1/1 h.15  
(included 1 Head end filler strip mod.TPA-7)



Construction - Fabricated using CrNi 18/10 AISI 304 grade Stainless Steel Scotch-Brite Satin polish Finish, incorporating 2 mm thick worktop, rounded edges, chromed details and rear splash back. Knobs with waterproof grades IPX5. Model - Professional Gas Bain-Marie. Moulded Gastronome 150mm deep tank. Piezoelectric ignition, pilot light, thermostatic control and thermocouple safety valves. Maintenance - All serviceable parts are accessible by the easy removal of front control panel. Fittings - Appliance is supplied with both LPG and Natural Gas conversion jets and adjustable feet, Front water drainage tap.

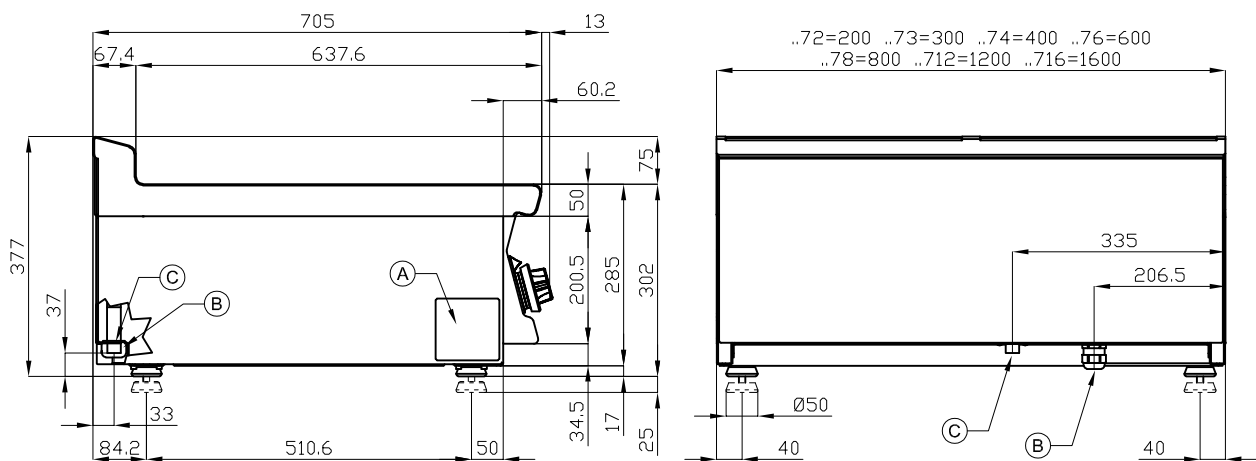


ITALIAN CULINARY ART

The pictures are purely representative. The manufacturer reserves the right to modify the technical data and models without previous notice.

# BMT-74G

70 SUPERLOTUS TOP  
GAS BAIN MARIE - TOP



A	Data plate		C	Gas connection	ISO 7-1 1/2" M
---	------------	--	---	----------------	----------------

MODEL: BMT-74G  
 DIMENSIONS: cm. 40x 70,5x 28h  
 GAS POWER: 3,5 kW / 3.010 kcal/h  
 GAS TYPE: Natural Gas / LPG



kg: 43  
 m<sup>3</sup>: 0.179  
 mm: 430x770x540

BUY LOTUS BUY ITALY

The pictures are purely representative. The manufacturer reserves the right to modify the technical data and models without previous notice.



LOTUS S.P.A. Via Calmaor, 46  
 31020 San Vendemiano(TV) - Italy  
 Tel. + 39 0438 778020 / 778468  
 Fax + 39 0438 778277  
 www.lotuscookers.it - lotus@lotuscookers.it