

# BMD-84EM

ELECTRIC FREELOTUS

ELECTRIC BAIN MARIE 80

Bain marie singlephase - Bowl for GN 1/1 +  
GN 1/3 h.15



Construction - Fabricated using CrNi 18/10 AISI 304 grade Stainless Steel Scotch-Brite Satin polish Finish, incorporating 2 mm thick worktop, chromed details. Model - Professional Electric Bain- Marie. Moulded Gastronome 150mm deep tank. Thermostatic control. Fittings - Appliance is supplied with Water fill tap, Overfill safety valve and floor drain. Fixing system.



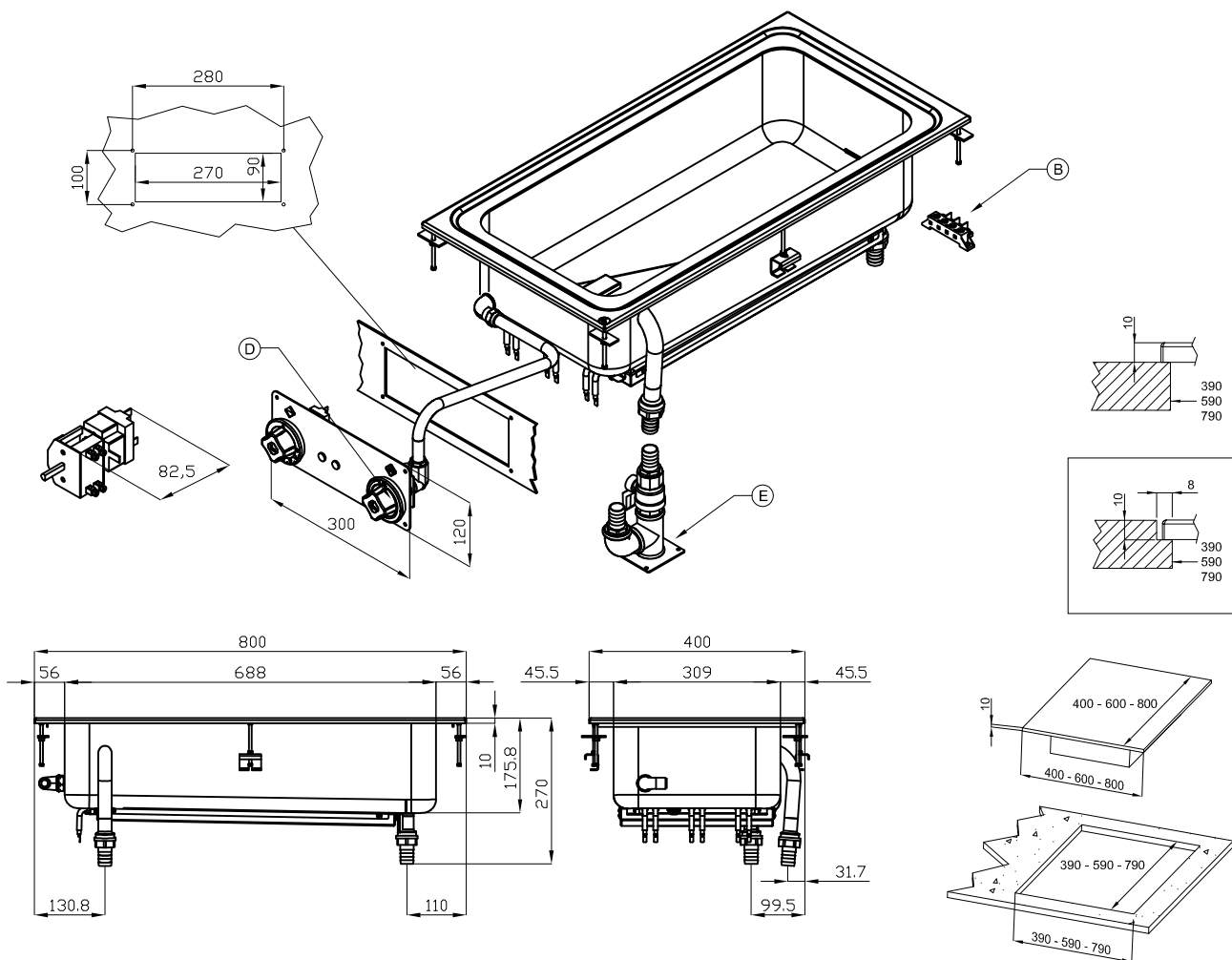
ITALIAN CULINARY ART

The pictures are purely representative. The manufacturer reserves the right to modify the technical data and models without previous notice.

# BMD-84EM

ELECTRIC FREELOTUS

ELECTRIC BAIN MARIE 80



A	Data plate		B	Electrical connection	
D	Cold water connection	ISO 7-1 1/2" F	E	Water drainage	ISO 7-1 1" M

MODEL: BMD-84EM  
 DIMENSIONS: cm. 40x 80x 30h  
 ELECTRIC POWER: 2,85 kW  
 VOLTAGE: 230V~  
 FREQUENCY: 50/60 Hz



kg: 21  
 m<sup>3</sup>: 0.225  
 mm: 430x970x540

BUY LOTUS BUY ITALY

The pictures are purely representative. The manufacturer reserves the right to modify the technical data and models without previous notice.



LOTUS S.P.A. Via Calmaor, 46  
 31020 San Vendemiano(TV) - Italy  
 Tel. + 39 0438 778020 / 778468  
 Fax + 39 0438 778277  
 www.lotuscookers.it - lotus@lotuscookers.it