

BMD-82EM

ELECTRIC FREELOTUS

ELECTRIC BAIN MARIE 80

Bain marie singlephase - Bowl for 7xGN 1/9
h.15



Construction - Fabricated using CrNi 18/10 AISI 304 grade Stainless Steel Scotch-Brite Satin polish Finish, incorporating 2 mm thick worktop, chromed details. Model - Professional Electric Bain- Marie. Moulded Gastronome 150mm deep tank. Thermostatic control. Fittings - Appliance is supplied with Water fill tap, Overfill safety valve and floor drain. Fixing system.



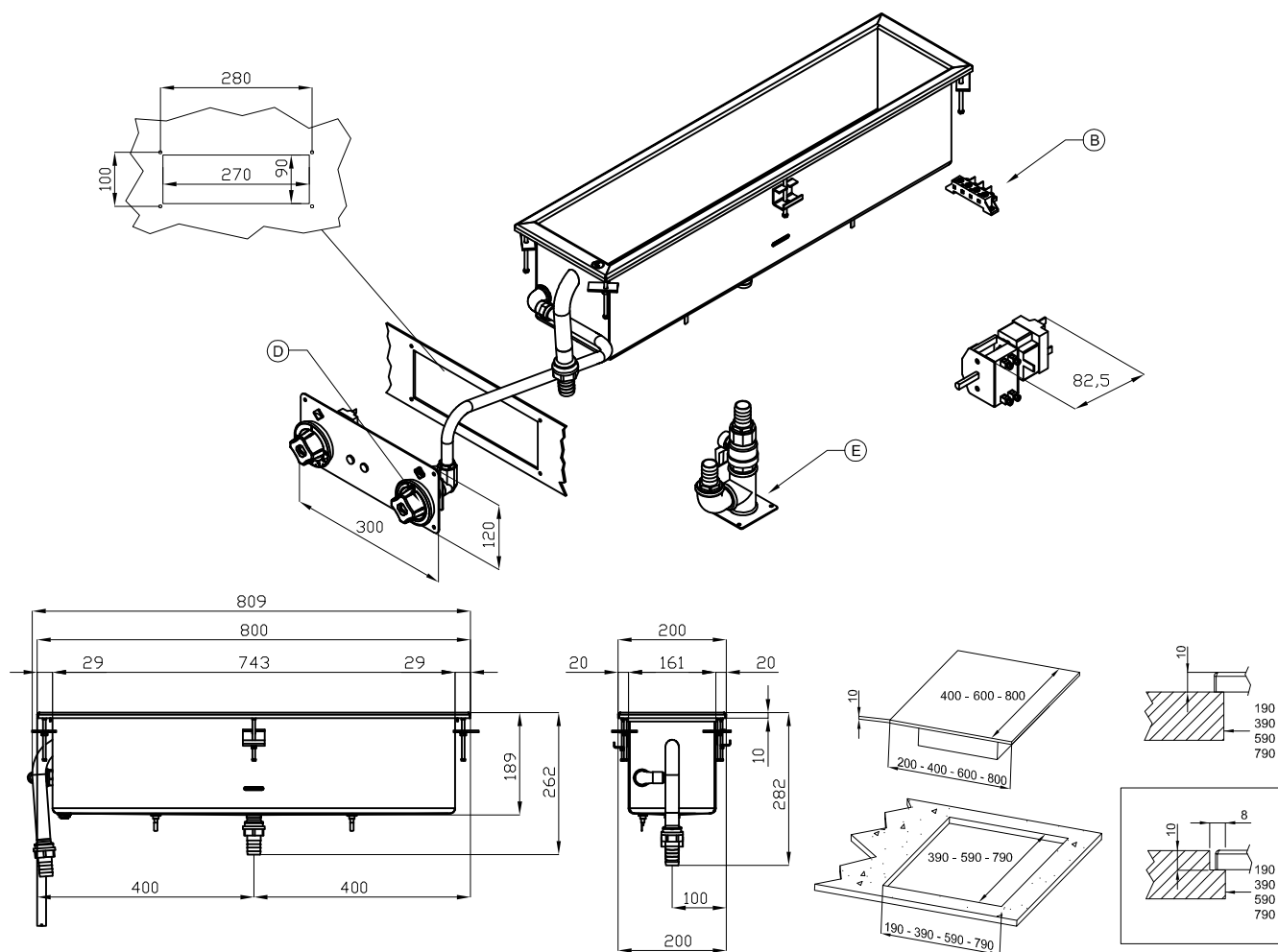
ITALIAN CULINARY ART

The pictures are purely representative. The manufacturer reserves the right to modify the technical data and models without previous notice.

BMD-82EM

ELECTRIC FREELOTUS

ELECTRIC BAIN MARIE 80



A	Data plate		B	Electrical connection	
D	Cold water connection	ISO 7-1 1/2" F	E	Water drainage	ISO 7-1 1" M

MODEL: BMD-82EM
 DIMENSIONS: cm. 20x 80x 30h
 ELECTRIC POWER: 1,65 kW
 VOLTAGE: 230V~
 FREQUENCY: 50/60 Hz



kg: 16
 m³: 0.172
 mm: 970x480x370

BUY LOTUS BUY ITALY

The pictures are purely representative. The manufacturer reserves the right to modify the technical data and models without previous notice.



LOTUS S.P.A. Via Calmaor, 46
 31020 San Vendemiano (TV) - Italy
 Tel. + 39 0438 778020 / 778468
 Fax + 39 0438 778277
 www.lotuscookers.it - lotus@lotuscookers.it