

# BMD-68ET

ELECTRIC FREELOTUS

ELECTRIC BAIN MARIE 60

Bain marie threephase - Bowl for GN 2/1  
h.15



Construction - Fabricated using CrNi 18/10 AISI 304 grade Stainless Steel Scotch-Brite Satin polish Finish, incorporating 2 mm thick worktop, chromed details. Model - Professional Electric Bain- Marie. Moulded Gastronome 150mm deep tank. Thermostatic control. Fittings - Appliance is supplied with Water fill tap, Overfill safety valve and floor drain. Fixing system.



ITALIAN CULINARY ART

The pictures are purely representative. The manufacturer reserves the right to modify the technical data and models without previous notice.

# BMD-68ET

ELECTRIC FREELOTUS

ELECTRIC BAIN MARIE 60

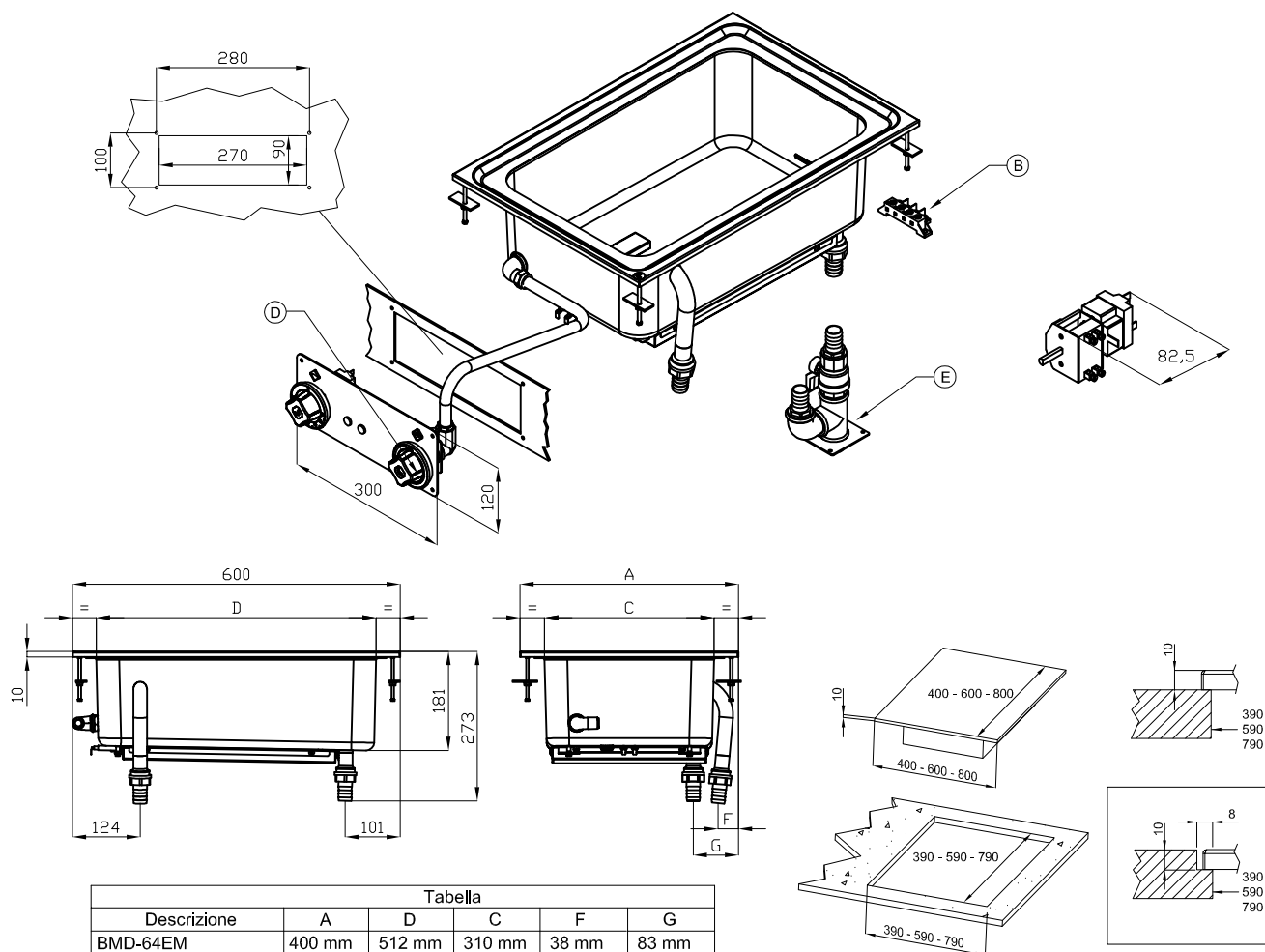


Tabella					
Descrizione	A	D	C	F	G
BMD-64EM	400 mm	512 mm	310 mm	38 mm	83 mm
BMD-68ET	800 mm	516 mm	634 mm	69 mm	140 mm

A	Data plate		B	Electrical connection	
D	Cold water connection	ISO 7-1 1/2" F	E	Water drainage	ISO 7-1 1" M

MODEL: BMD-68ET  
 DIMENSIONS: cm. 80x 60x 30h  
 ELECTRIC POWER: 4,2 kW  
 VOLTAGE: 400V~2N / 230V~3 / 230V~  
 FREQUENCY: 50/60 Hz



kg: 40  
 m<sup>3</sup>: 0.216  
 mm: 730x630x470

BUY LOTUS BUY ITALY

The pictures are purely representative. The manufacturer reserves the right to modify the technical data and models without previous notice.



LOTUS S.P.A. Via Calmaor, 46  
 31020 San Vendemiano (TV) - Italy  
 Tel. + 39 0438 778020 / 778468  
 Fax + 39 0438 778277  
 www.lotuscookers.it - lotus@lotuscookers.it