

# BM-94EMT

90 IPERLOTUS TOUCH

ELECTRIC BAIN MARIE - TOUCH

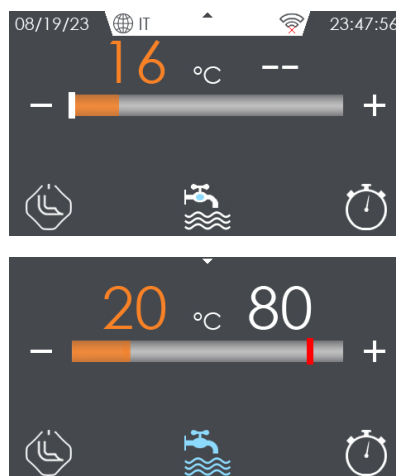


View 3D

Bain marie singlephase on open cabinet - Bowl for GN 1/1 cm.15h, Touch Screen 4,3", temperature 90°C. "Energy Saving, WiFi and CLOUD". Functions: 2 timer, water loading. Floor draining (included 1 Head end filler strip mod.TPA-9)



**Construction** - Fabricated using CrNi 18/10 AISI 304 grade Stainless Steel Scotch-Brite Satin polish Finish, incorporating 2mm thick worktop, rounded edges, chromed details and rear splash back. Knobs with waterproof grades IPX5 and 4.3" capacitive touch screen. Model - Professional electric Bain-Marie on open cabinet. Moulded tanks for Gastronorm containers with a depth of 150 mm. Display with thermostatic adjustment up to 90°C, 2 timers maximum 99 minutes, water filling button via solenoid valve. Standard WiFi and CLOUD, designed for connection to an external "ENERGY SAVING" system.  
**Maintenance** - All serviceable parts are accessible by the easy removal of front dashboard.  
**Fittings** - Appliance is supplied with adjustable feet, Water fill tap, Overfill device and floor draining. Doors not included.



ITALIAN CULINARY ART

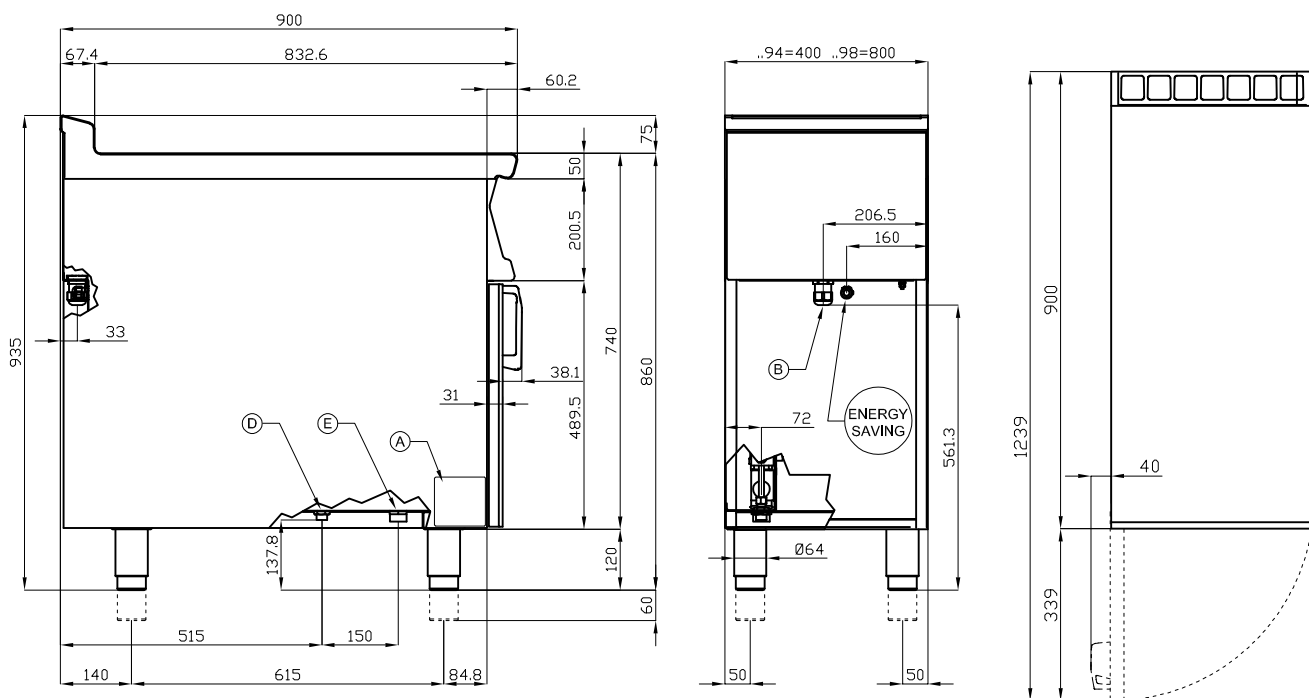
The pictures are purely representative. The manufacturer reserves the right to modify the technical data and models without previous notice.

# BM-94EMT

90 IPERLOTUS TOUCH  
ELECTRIC BAIN MARIE - TOUCH



View 3D



A	Data plate		B	Electrical connection	
D	Cold water connection	ISO 7-1 3/4" M	E	Water drainage	ISO 7-1 1" M

MODEL: BM-94EMT  
DIMENSIONS: cm. 40x 90x 90h  
ELECTRIC POWER: 2,1 kW  
VOLTAGE: 230V~  
FREQUENCY: 50/60 Hz



kg: 52  
m<sup>3</sup>: 0.463  
mm: 430x970x1110

BUY LOTUS BUY ITALY

The pictures are purely representative. The manufacturer reserves the right to modify the technical data and models without previous notice.



LOTUS S.P.A. Via Calmaor, 46  
31020 San Vendemiano(TV) - Italy  
Tel. + 39 0438 778020 / 778468  
Fax + 39 0438 778277  
www.lotuscookers.it - lotus@lotuscookers.it