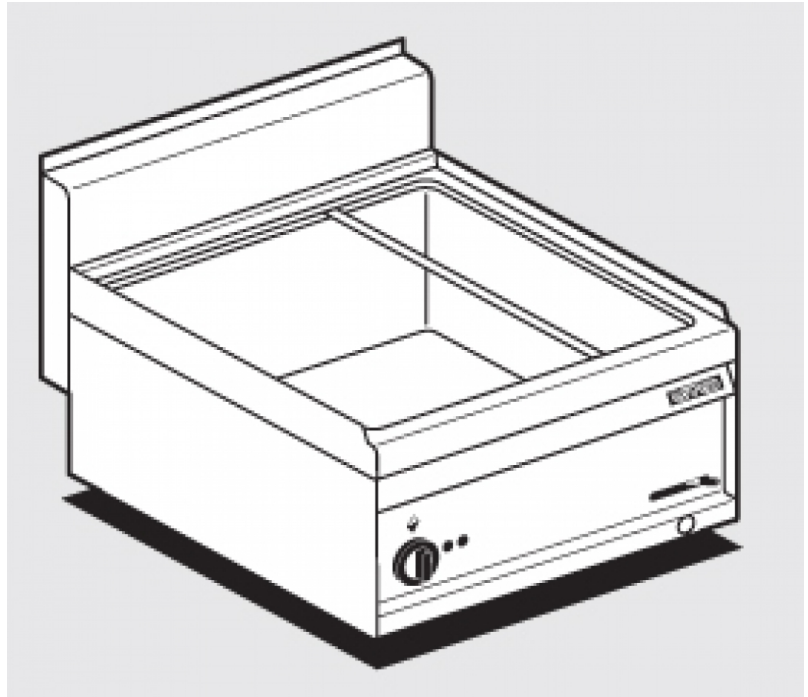


BM-6EM

65 MAGICPROF ELECTRIC BAIN MARIE

Bain marie singlephase - Bowl for 1 GN 1/1
+ 2 GN 1/4 h.15



Construction - Fabricated using CrNi 18/10 AISI 304 grade Stainless Steel Scotch-Brite Satin polish Finish, incorporating 1mm thick worktop, rounded edges, chromed details and rear splash back. Model - Professional Electric Bain- Marie. Moulded Gastronome 150mm deep tank. Thermostatic control. Maintenance - All serviceable parts are accessible by the easy removal of front control panel. Fittings - Appliance is supplied with adjustable feet, Front water drainage tap.

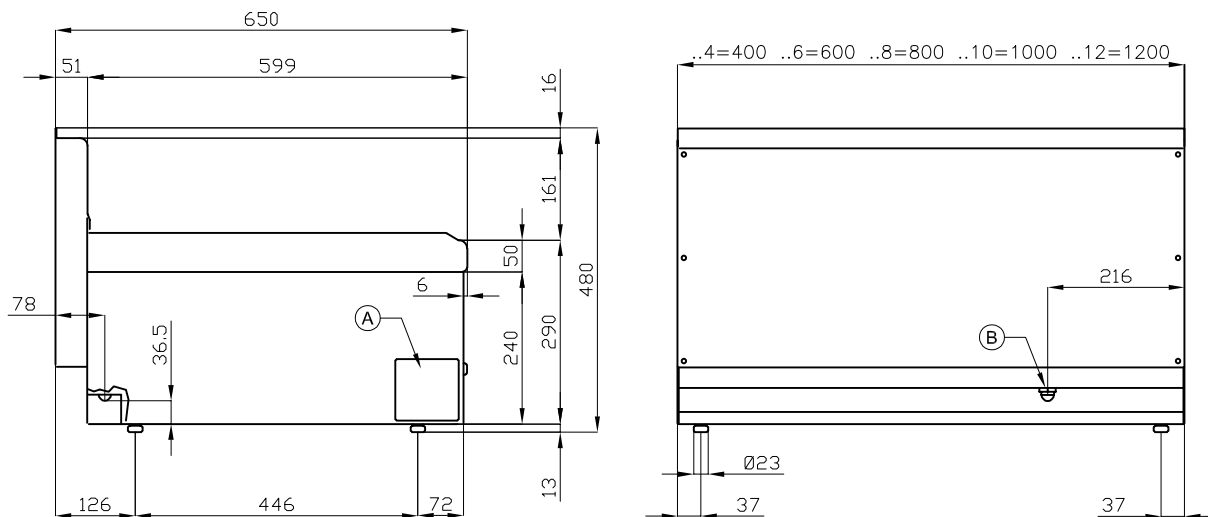


ITALIAN CULINARY ART

The pictures are purely representative. The manufacturer reserves the right to modify the technical data and models without previous notice.

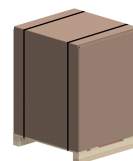
BM-6EM

65 MAGICPROF
ELECTRIC BAIN MARIE



A	Data plate		B	Electrical connection	
---	------------	--	---	-----------------------	--

MODEL: BM-6EM
 DIMENSIONS: cm. 60x 65x 29h
 ELECTRIC POWER: 3,15 kW
 VOLTAGE: 230V~
 FREQUENCY: 50/60 Hz



kg: 27
 m³: 0.265
 mm: 630x690x610

BUY LOTUS BUY ITALY

The pictures are purely representative. The manufacturer reserves the right to modify the technical data and models without previous notice.



LOTUS S.P.A. Via Calmaor, 46
 31020 San Vendemiano(TV) - Italy
 Tel. + 39 0438 778020 / 778468
 Fax + 39 0438 778277
 www.lotuscookers.it - lotus@lotuscookers.it