

# BM-4EM

## 65 MAGICPROF ELECTRIC BAIN MARIE

Bain marie singlephase - Bowl for GN 1/1  
h.15



Construction - Fabricated using CrNi 18/10 AISI 304 grade Stainless Steel Scotch-Brite Satin polish Finish, incorporating 1mm thick worktop, rounded edges, chromed details and rear splash back. Model - Professional Electric Bain- Marie. Moulded Gastronome 150mm deep tank. Thermostatic control. Maintenance - All serviceable parts are accessible by the easy removal of front control panel. Fittings - Appliance is supplied with adjustable feet, Front water drainage tap.

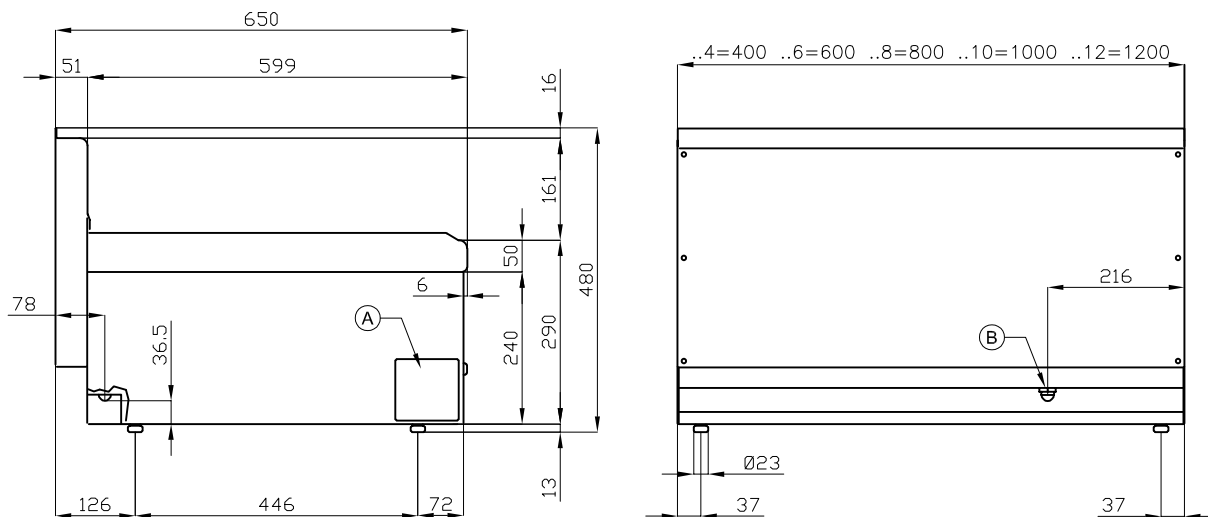


ITALIAN CULINARY ART

The pictures are purely representative. The manufacturer reserves the right to modify the technical data and models without previous notice.

# BM-4EM

65 MAGICPROF  
ELECTRIC BAIN MARIE



A	Data plate		B	Electrical connection	
---	------------	--	---	-----------------------	--

MODEL: BM-4EM  
DIMENSIONS: cm. 40x 65x 29h  
ELECTRIC POWER: 2,1 kW  
VOLTAGE: 230V~  
FREQUENCY: 50/60 Hz



kg: 21  
m<sup>3</sup>: 0.181  
mm: 430x690x610

BUY LOTUS BUY ITALY

The pictures are purely representative. The manufacturer reserves the right to modify the technical data and models without previous notice.



LOTUS S.P.A. Via Calmaor, 46  
31020 San Vendemiano (TV) - Italy  
Tel. + 39 0438 778020 / 778468  
Fax + 39 0438 778277  
www.lotuscookers.it - lotus@lotuscookers.it