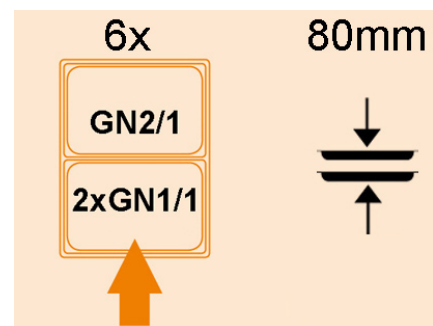


# BL206-DAG

BIG LOTUS OVENS

OVENS "BIG" GAS GN2/1

Convection oven with 10 levels steam regulation, analogic/electro-mechanic control panel. Max temperature 260°C. Timer. 2 speeds fan. Chimney open. LED lighting. Left door. Capacity 6xGN2/1, 12xGN1/1.



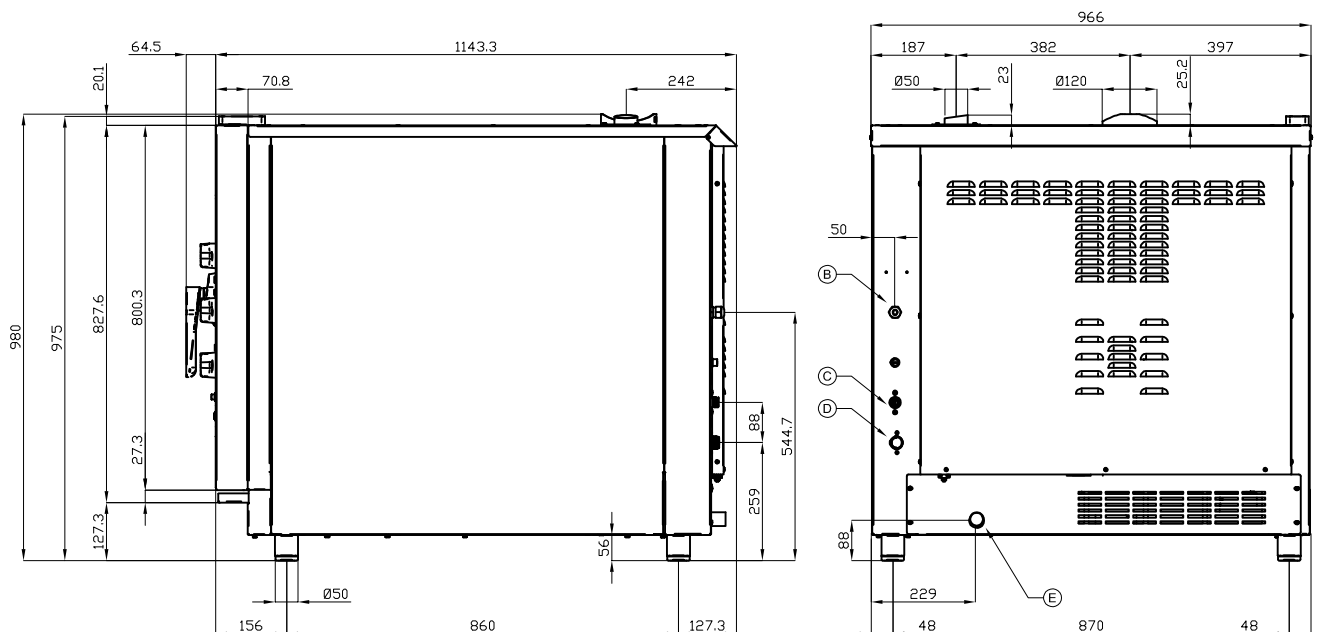
ITALIAN CULINARY ART

The pictures are purely representative. The manufacturer reserves the right to modify the technical data and models without previous notice.

# BL206-DAG

BIG LOTUS OVENS

OVENS "BIG" GAS GN2/1



A	Data plate		B	Electrical connection	
C	Gas connection	ISO 7-1 3/4" M	D	Cold water connection	ISO 7-1 3/4" M
E	Water drainage	Ø30mm			

MODEL: BL206-DAG  
 DIMENSIONS: cm. 97x 114x 99h  
 GAS POWER: 15 kW / 12.900 kcal/h  
 GAS TYPE: Natural Gas / LPG  
 ELECTRIC POWER: 0,5 kW  
 VOLTAGE: 230V~  
 FREQUENCY: 50 Hz



kg: 129  
 m<sup>3</sup>: 1.286  
 mm: 1050x1250x980

BUY LOTUS BUY ITALY

The pictures are purely representative. The manufacturer reserves the right to modify the technical data and models without previous notice.



LOTUS S.P.A. Via Calmaor, 46  
 31020 San Vendemiano(TV) - Italy  
 Tel. + 39 0438 778020 / 778468  
 Fax + 39 0438 778277  
[www.lotuscookers.it](http://www.lotuscookers.it) - [lotus@lotuscookers.it](mailto:lotus@lotuscookers.it)