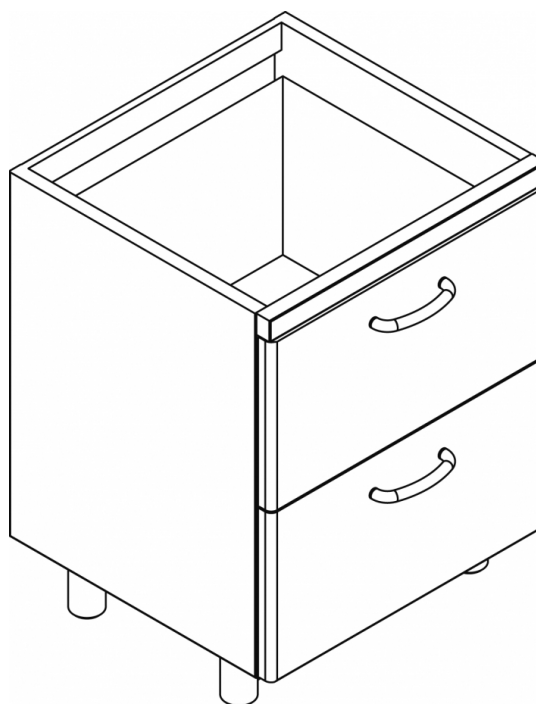


# BC2/660

## SHINE KITCHEN DRAWER UNIT

2 DRAWERS cm.51,8x52x25



ITALIAN CULINARY ART

The pictures are purely representative. The manufacturer reserves the right to modify the technical data and models without previous notice.

# BC2/660

## SHINE KITCHEN DRAWER UNIT

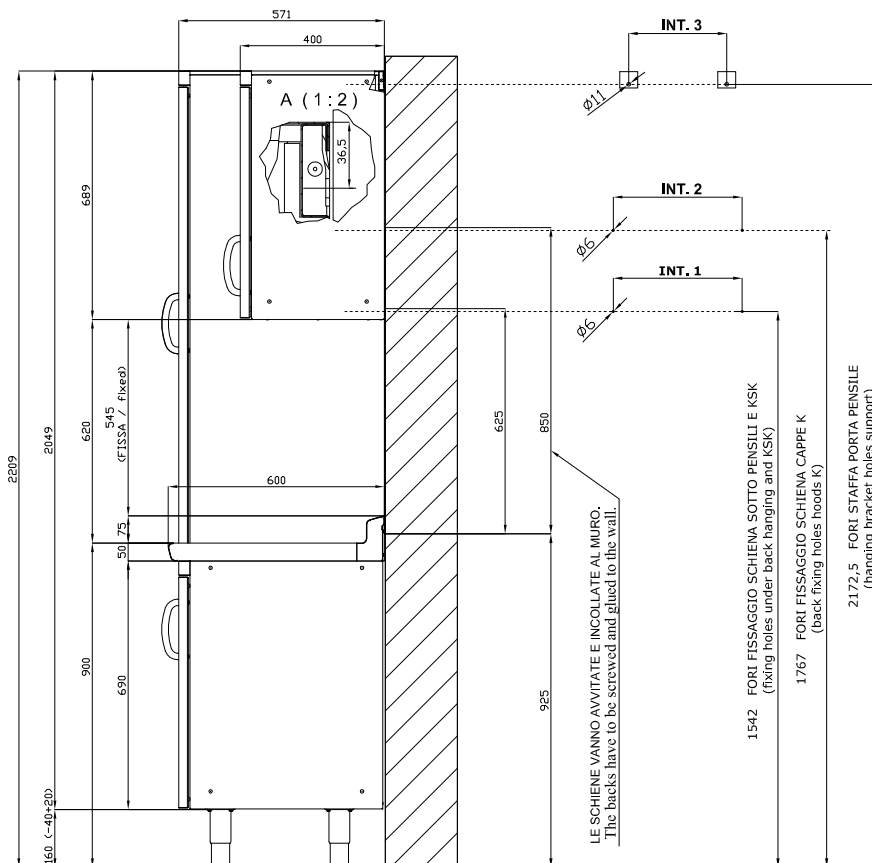


Tabella						
MOD. SP	INT 1	INT 2	INT 3	MOD. PP	INT 3	
SP/630	276	-	-	PP-630 SX/DX	190	
SP/640	376	-	-	PP-640 SX/DX	290	
SP/645	426	-	-	PP-645 SX/DX	340	
SP/650	476	-	-	PP-650 SX/DX	390	
SP/670	676	-	-	PP-660/PPS-660	490	
SP/6105	1026	-	-	PP-670	590	
SP/6110	1076	-	-	PP-680	690	
SP/6125	1226	-	-	PP-690/PPS-690	790	
SP/6135	1326	-	-	PP-6100	890	
SP-SK/660	-	576	-	PP-6105	940	
SP-SK/680	-	776	-	PP-6110	990	
SP-SK/690	-	876	-	PP-6120	1090	
SP-SK/6100	-	976	-	PP-6125	1140	
SP-SK/6120	-	1176	-	PP-6135	1240	
SP-SK/6140	-	1376	-	PP-6150	1390	
SP-SK/6150	-	1476	-			
SP-SK/6160	-	1576	-			
SP-SK/6180	-	1776	-			
SP-SK/6200	-	1976	-			

A	Data plate				
---	------------	--	--	--	--

MODEL: BC2/660  
DIMENSIONS: cm. 60x 56,6x 81h



kg: 44  
m<sup>3</sup>: 0.396  
mm: 680x670x870

BUY LOTUS BUY ITALY

The pictures are purely representative. The manufacturer reserves the right to modify the technical data and models without previous notice.



LOTUS S.P.A. Via Calmaor, 46  
31020 San Vendemiano(TV) - Italy  
Tel. + 39 0438 778020 / 778468  
Fax + 39 0438 778277  
www.lotuscookers.it - lotus@lotuscookers.it