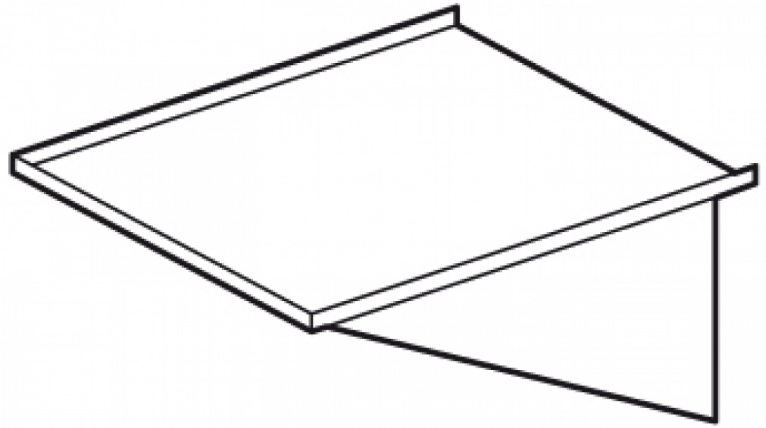


# 06280600

65 MAGICPROF  
FRYERS ACCESSORIES

Slide (FP-6E)



ITALIAN CULINARY ART

The pictures are purely representative. The manufacturer reserves the right to modify the technical data and models without previous notice.

# 06280600

65 MAGICPROF  
FRYERS ACCESSORIES

A	Data plate				
---	------------	--	--	--	--

MODEL: 06280600  
DIMENSIONS: cm. 60x 34



kg: 4  
m<sup>3</sup>: 0.052  
mm: 650x400x200

BUY LOTUS BUY ITALY

The pictures are purely representative. The manufacturer reserves the right to modify the technical data and models without previous notice.



LOTUS S.P.A. Via Calmaor, 46  
31020 San Vendemiano(TV) - Italy  
Tel. + 39 0438 778020 / 778468  
Fax + 39 0438 778277  
[www.lotuscookers.it](http://www.lotuscookers.it) - [lotus@lotuscookers.it](mailto:lotus@lotuscookers.it)