

Installation and operating instructions

PROFESSIONAL WATER COOKER

PCA-74GP PCA-78GP PCA-712GP CFA4-78GP CFA6-712GPV

Model LIBR.ISTR.PCA CFA70G

Code 563024601

Review 1

Edition date 18/12/2018

Language English

LOTUS S.p.A.

Via Calmaor, 46

31020 San Vendemiano

+39 0438 778020

+39 0438 778277

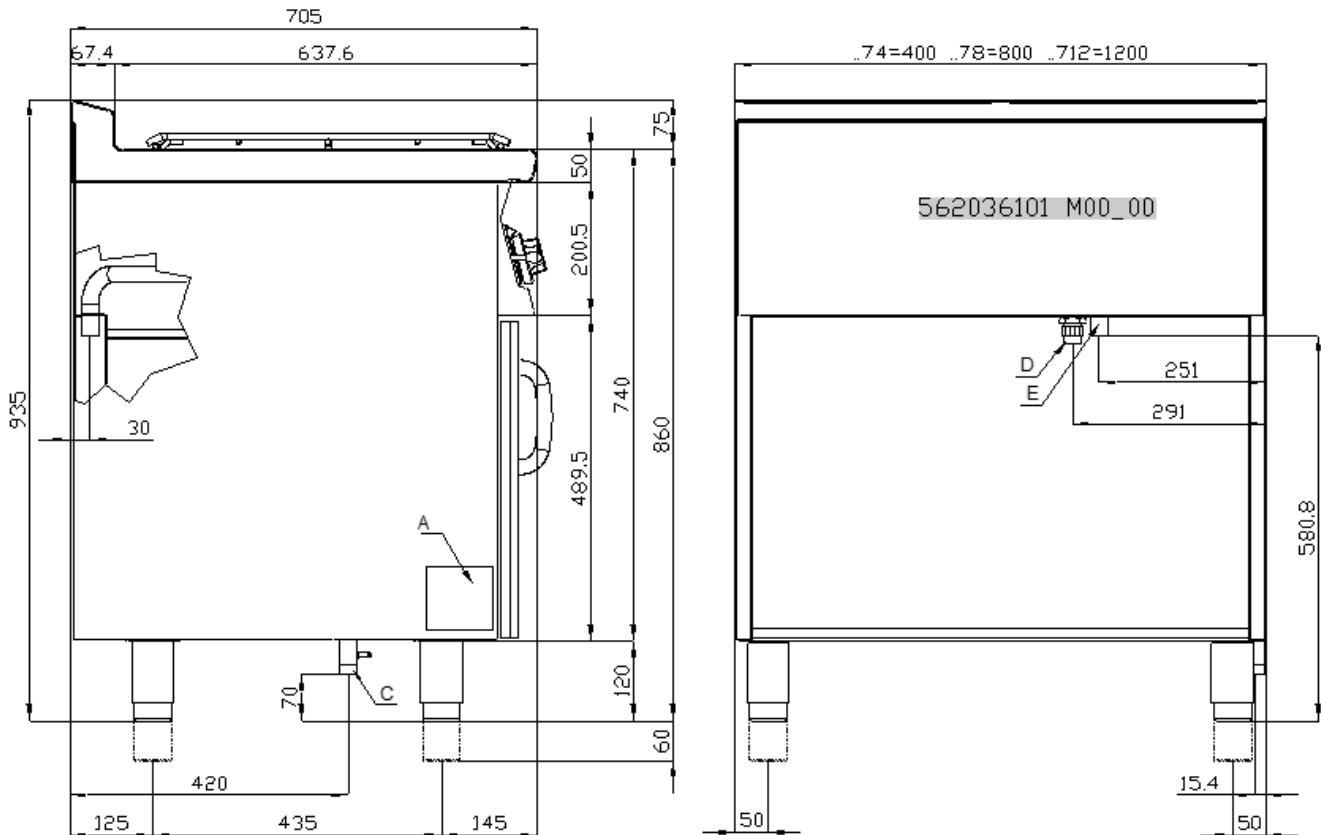
Contents

1	INTRODUCTION	3
1.1	Installation drawing	3
1.2	Components	4
1.3	Example installation of the appliance	8
2	GENERAL INFORMATION	9
2.1	Declaration of compliance	9
2.2	Technical data table	10
3	INSTALLATION	11
3.1	Delivery checks	11
3.2	Removing the packaging	11
3.3	Mechanical installation	11
3.4	Electrical/gas connections	11
3.5	Hydraulic connection - Water inlet	15
3.6	Hydraulic connection - Water outlet	15
4	BURNERS TECHNICAL DATA TABLE (ITGB)	16
4.1	Burners technical data table	16
5	INSTRUCTIONS FOR USE	17
5.1	General information	17
5.2	Lighting and adjusting the open rings	17
5.3	Starting the main burner and adjusting the temperature	17
5.4	Switching the main burner off	17
5.5	Turning the appliance off	18
5.6	Lighting and regulating gas oven burner	18
6	MAINTENANCE	19
6.1	Routine	19
6.2	Changing the open ring nozzles (fig. C)	19
6.3	Substituting the nozzle in the pilot burner (fig. D)	19
6.4	Substituting the nozzle in the oven burner	20
6.5	Minimum setting	20
6.6	Spare parts	20
7	CLEANING	21
7.1	Routine cleaning	21

1 INTRODUCTION

1.1 Installation drawing

FIG. 1 PCA..., CFA...



A Data Plate

C Gas connection

D Water connection **R 3/4" M**

E Water discharge **Ø 25 mm**

1.2 Components

FIG. H

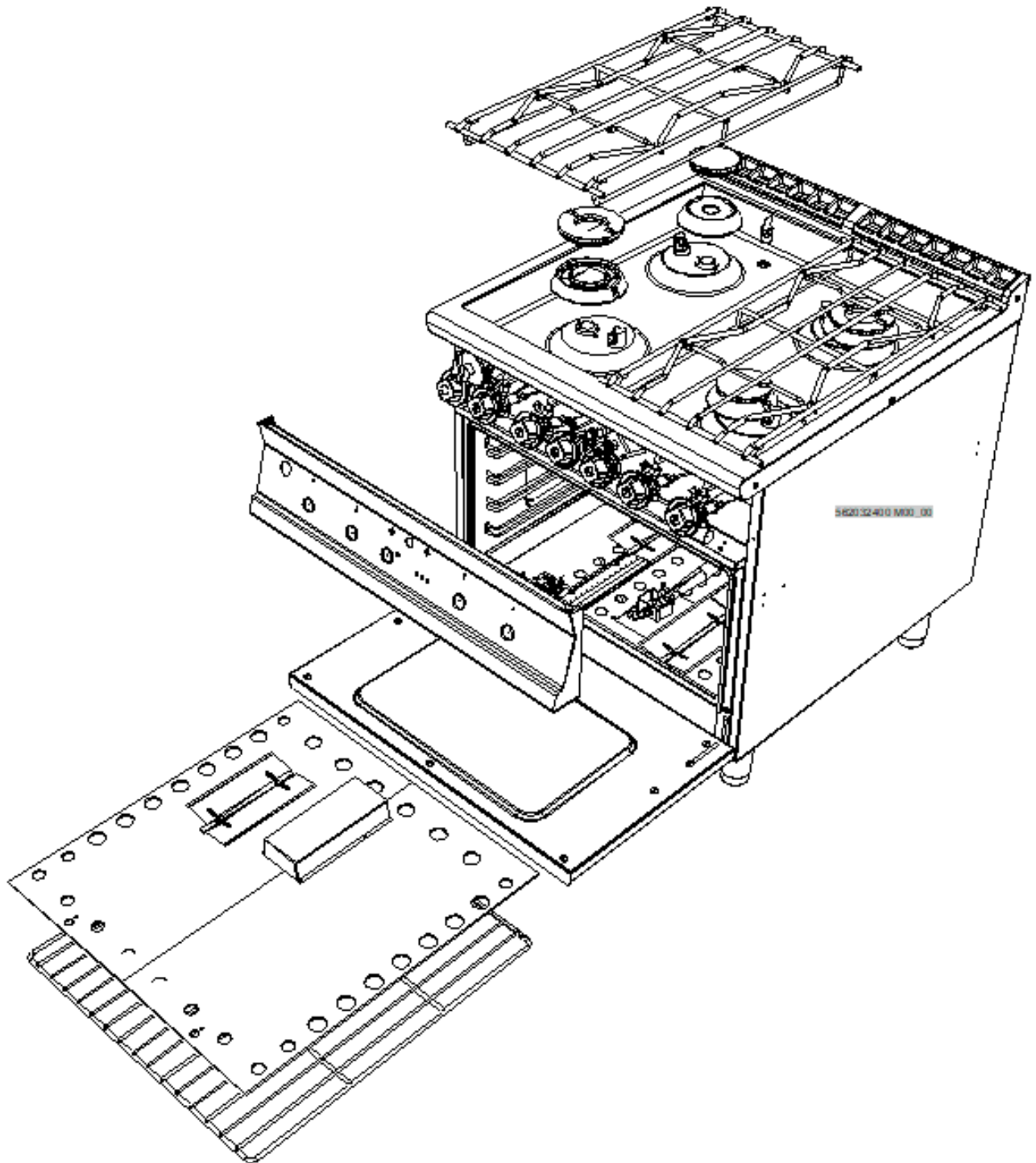
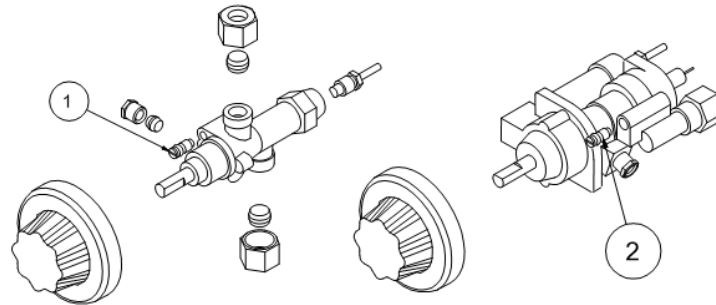
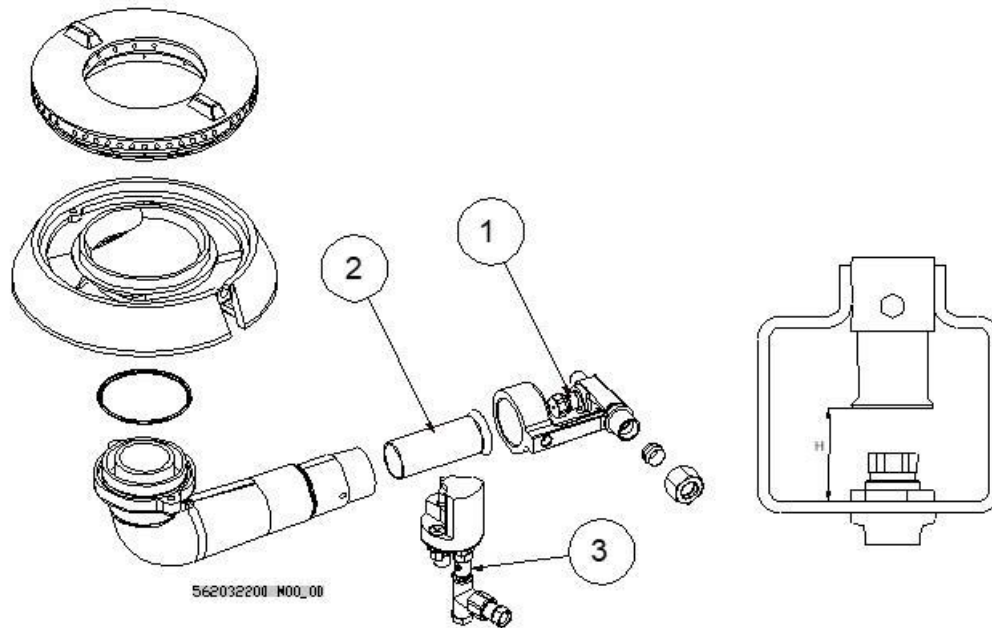


FIG. B



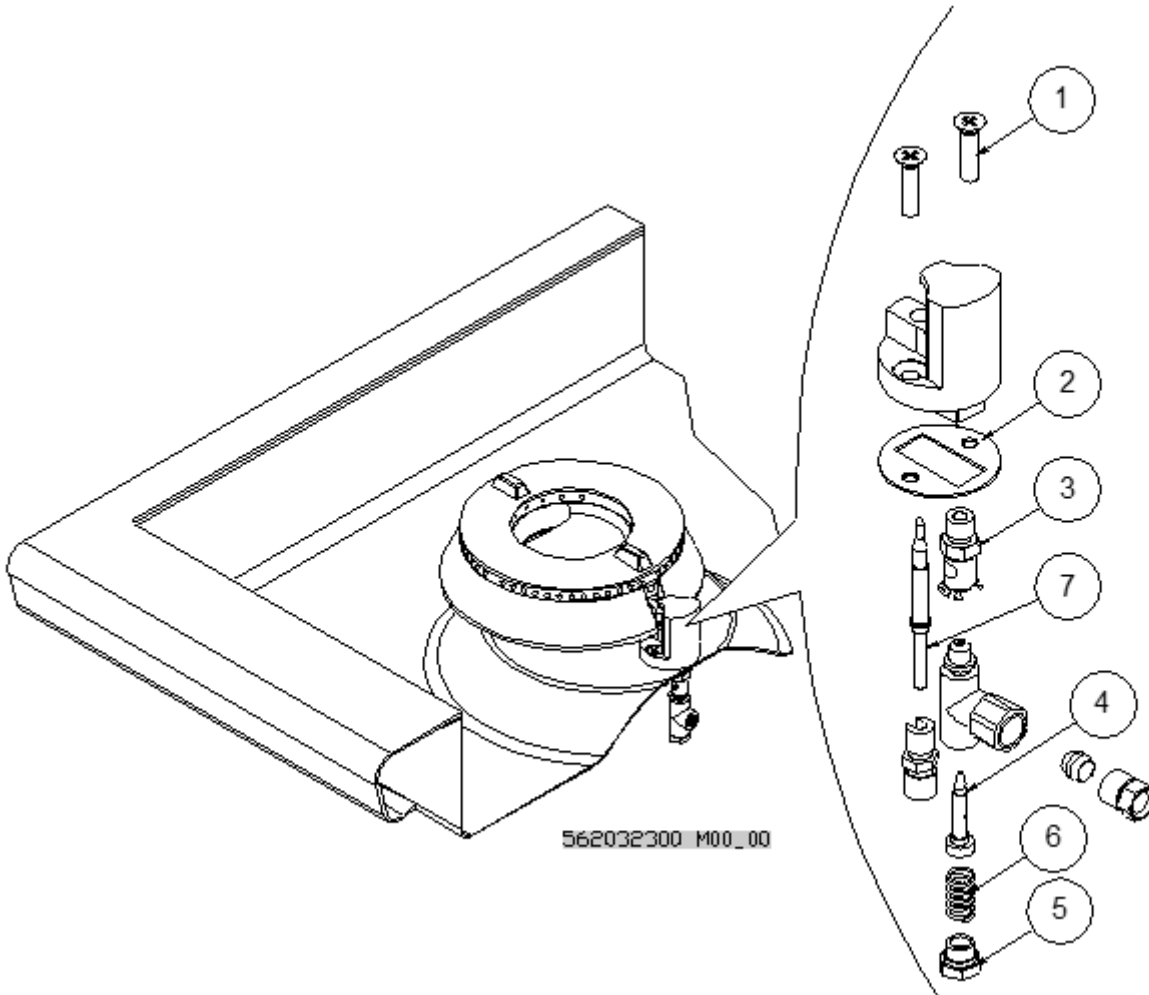
- 1 Flame open by-pass
- 2 Oven by-pass

FIG.C (FLAMES)



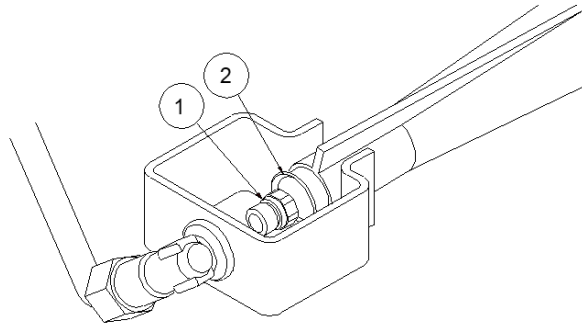
- 1 Flame injector
- 2 Air adjustment
- 3 Pilot

FIG. D



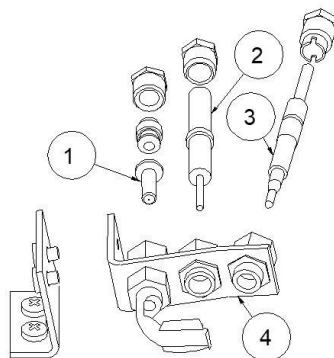
- 1 Pilot bracket screw
- 2 Pilot bracket
- 3 Pilot air bushing
- 4 Pilot injector
- 5 Injector screw
- 6 Spring
- 7 Extends drainage

FIG. E



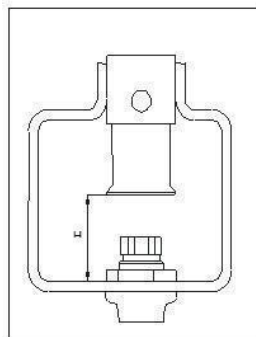
- 1 Oven injector
- 2 Oven air regulation

FIG. F (Oven pilot)



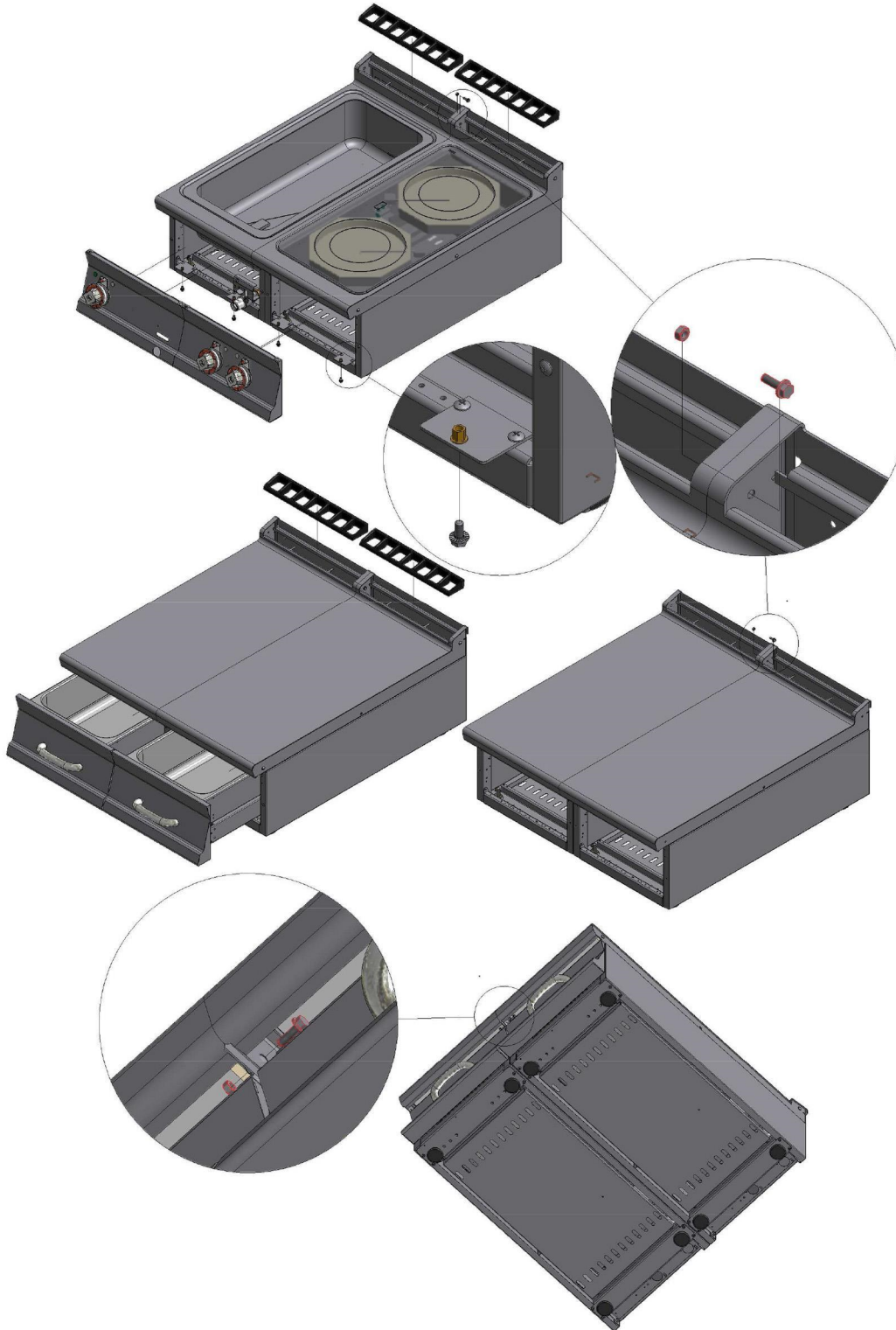
- 1 Pilot light nozzle
- 2 Ignition spark plug
- 3 Extends drainage
- 4 Pilot bracket

FIG. G



Burner air adjustment

1.3 Example installation of the appliance



562026000M00P00.idw 1 di 1

2 GENERAL INFORMATION

2.1 Declaration of compliance

The manufacturer declares that the appliances comply with the requirements of the regulation GAR 2016/426 for the gas part and directive 2014/30/EU, 2014/35/EU for the electrical part. Installation must be performed in compliance with current regulations, especially with regard to ventilation of the premises and the exhaust gas evacuation system.

- Read the warnings in this manual carefully. They provide important information about safe installation, use and maintenance.
- The instruction manual must be kept for the entire duration of the equipment and made available to users for every possible consultation. The manual should be consulted for any information concerning installation, use and maintenance of the appliance.
- After removing the packaging, check the integrity of the equipment.
- All packaging materials (plastic bags, polystyrene, staples, etc.) must be disposed of in compliance with current regulations.
- Before connecting the appliance, make sure that the information on the data plate matches the electricity and gas mains where the appliance is installed. **The manufacturer accepts no liability if the equipment is not connected in accordance with current regulations.**
- Always keep all parts of the equipment clean to avoid the risk of oxidation/rust and/or aggression by chemical agents.
- The equipment must only be used by personnel trained for the purpose.
- **The installation must be implemented by professionally qualified personnel in accordance with the manufacturer's instructions and current reference standards.**
- The electrical safety of this equipment is only ensured when it is correctly connected to an effective ground/earth system as required by current electrical safety standards. The manufacturer cannot be held liable for any damage caused if the system is not connected to ground/earth.
- Before carrying out any cleaning or maintenance tasks on the equipment, unplug it from the electricity mains. In the event of faults or malfunctions, always deactivate the appliance.
- **Repair work of any kind must only be performed by qualified personnel.**
- This appliance must only be used for its expressly intended purpose for cooking or heating food. Any other use is considered improper.
- The appliance is intended for professional use and must be used by trained personnel.
- The installation and possible transformation to another power supply voltage (if envisaged), or transformation for operation with another type of gas, must be implemented exclusively by qualified and authorised professional personnel.
- Before using the appliance, carefully clean all surfaces intended to come into contact with food.
- The manufacturer declines any and all liability for any direct or indirect damage resulting from improper use of the equipment. The manufacturer declines any and all liability for damage caused by incorrect installation, tampering, poor maintenance and unskilled use. Moreover, the manufacturer declines any liability for possible inaccuracies that may be contained in this booklet attributable to errors in transcription or printing and equally reserves the right to make any changes to the product it deems useful and/or necessary without compromising its essential characteristics.
- **The manufacturer cannot be held liable for any damage caused by failure to comply with these basic standards and all other use and maintenance standards contained in this booklet.**

2.2 Technical data table

Technical data table PCCFA S70G

MODEL	DIMENSIONS	RATED BURNER FLOW RATE (kW)			RATED TOTAL GAS FLOW (kW)	GAS FITTING ISO 7-1
		5,5	8,5	Gas oven GN2/1		
PCA-74GP	40x70x90h	1	1	/	14	R 1/2GM
PCA-78GP	80x70x90h	2	2	/	28	R 3/4GM
PCA-712GP	120x70x90h	3	3	/	42	R 3/4GM
CFA4-78GP	80x70x90h	2	2	7,3	35,3	R 3/4GM
CFA6-712GPV	120x70x90h	3	3	7,3	49,3	R 3/4GM

Technical data table PCCFA S70 water connection

MODEL	WATER CONNECTION P min = 150 Kpa P max = 500 Kpa	WATER FLOW (Adjustable l / min)
PCA-74GP	R 3/4"M	4
PCA-78GP	R 3/4"M	4
PCA-712GP	R 3/4"M	4
CFA4-78GP	R 3/4"M	4
CFA6-712GPV	R 3/4"M	4

3 INSTALLATION

3.1 Delivery checks

On delivery, it is important to check the following:

- External conditions of the packaging
- The general status of the equipment
- The conformity of the model with the information in the technical data plate and the instruction manual
- The conformity of the equipment and components to the order form

3.2 Removing the packaging

While removing the packaging, take care not to damage the appliance. Remove the protective film from the stainless steel and eliminate any traces of glue. Do not smoke. Perform this operation away from sources of heat and wear protective gloves. Do not disperse packaging material in the environment, keep it out of the reach of children and dispose in compliance with current legislation.

3.3 Mechanical installation

Place the appliance on a flat base. Adjust and stabilise the appliance by acting on the support feet. Make sure that the surrounding walls and/or equipment are capable of withstanding the heat emitted by this appliance. Connect the water supply (if necessary).



Caution

Do not install the appliance near equipment/machines used in cold processes. If the appliance has to be installed close to cold process equipment, it is advisable to install non-combustible thermal insulating material and/or neutral elements between them.

3.4 Electrical/gas connections

Before being offered for sale on the market, the appliance was subjected to gas and electrical testing (as required). The appliance is supplied without a power cable. The installation technician must connect the equipment in compliance with current safety regulations on the basis of the power of the appliance.



Note

The ID plate is located in the compartment inside the door for appliances with compartments, or on the left side for appliances with an oven or a top. A second plate with the model and serial number is located inside the dashboard and a third is included with the certificate of conformity. The serial number can also be tracked from the sales document (after 2008). The plate has all the data needed for correct electrical installation. The installation and possible conversion to another power supply voltage (if envisaged) must be implemented exclusively by professionally qualified and authorized personnel. Before using the appliance, carefully clean all surfaces intended to come into contact with food.



Warning

Installation operations, any conversion to other types of gas and start-up must only be performed by qualified personnel, in accordance with current regulations.

Gas systems, electrical connections and premises where the appliances are installed must comply with current regulations in the country of installation; in particular, the appliance must be installed in a room with good ventilation, if possible under a suction hood to ensure complete evacuation of the exhaust gases formed during combustion. The air required for combustion is 2 m³/h per kW of installed power. The appliance can be installed alone or in series with other appliances in our production range. A minimum distance of 10 cm between appliances must be respected to prevent contact with any walls made of flammable material; furthermore, appropriate measures should also be adopted to ensure the thermal insulation of flammable parts, such as the installation of heat shields; take special care to ensure that appliances are installed in an appropriate and safe manner. The support feet can be adjustable in height and any unevenness can therefore be eliminated.

GAS CONNECTION

The gas connection (see installation drawing) must be implemented using steel or copper pipes or steel hoses, in compliance with applicable national standards. All appliances must be equipped with a gas shut-off valve and fast-closing valve. Once installation is complete, make sure that there are no gas leaks from the fittings; to do this, do not use a naked flame but substances that do not cause corrosion, such as solutions of soapy water or leak detectors. All our appliances are subjected to detailed examination: the type of gas, pressure in use and the pertinent category are indicated on the data plate (see attachment).



Note

The year of construction of the appliance is indicated under "N" on the data plate. The first 2 digits indicate the year of construction.

• THERMAL OUTPUT CONTROL

The appliances must be checked in order to verify that their thermal output is correct:

- Thermal output is indicated on the appliance's data plate;
- Firstly, make sure that appliance is set for the type of gas used and then make sure that the indication on the data plate matches this gas. To adapt the appliance to another type of gas, make sure that the type of gas in question complies with the information in this instruction manual.



Warning

Pressure is measured with a pressure gauge (minimum resolution of 0.1 mbar) mounted on the appropriate socket. Remove the M6 locking screw and insert the pressure gauge tube. The test must be performed with all the burners on the appliance switched on and all the appliances in the same line switched on. After taking the measurement, replace the screw, firmly tighten and check the seal.

Liquid gas connection G30 / G31

The liquid gas connection pressure is 30 mbar for butane and 37 mbar for propane. Check the data plate, measure the pressure and verify that the description of the nozzle installed matches the information provided by the manufacturer.

Methane gas connection H G20

The methane gas connection pressure is 20 mbar. Check the data plate, measure the pressure and verify that the description of the nozzle installed matches the information provided by the manufacturer.

• CHECKING THE PRIMARY AIR FOR MAIN BURNERS AND PILOT NOZZLE

For burners equipped with air adjustment, set the adjustable bushing and lock it with a screw. The "Burner technical data" table shows approximate values for the "h" parameter (primary air). The primary air flow volume must be adjusted to avoid a flame cut-off when the burner is cold and a flame blowback when the burner is hot. The pilot air adjustment is set testing for the gas which the appliance will use. In the event of conversion to other types of gas, adjust the air using the adjustment bush until the pilot flame is steady and has an intense blue colour.

Disposition for conversion and installation for other types of gas:

Our appliances are tested and set for liquid gas or natural gas (see attached data plate). Conversion or adaptation to another type of gas must be performed by a specialist technician. The nozzles for the various types of gas are contained in a bag included in the supply and are marked in hundredths of mm (see "Burners" technical data table).

• **INSTRUCTIONS FOR EVACUATING EXHAUST GASES**

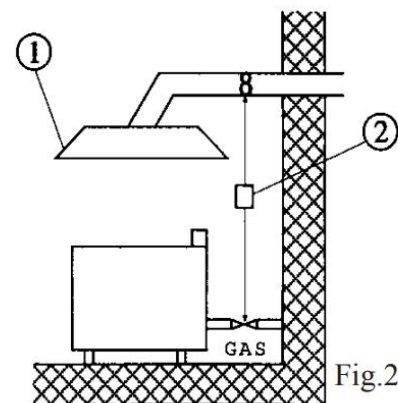
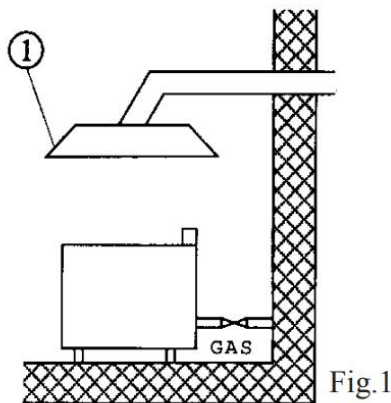
- "A" type devices (see data plate)

"A" type appliances must discharge combustion products into appropriate hoods, or similar devices, connected to an efficient fume stack or directly to the outside. (Natural evacuation) Fig. 1

If this is not possible, using an air suction device connected directly to the outside is permitted (**Forced Evacuation**) Fig.2, having a flow capacity not lower than the value defined in point 4.3 of the UNI-CIG 8723 standard.

- In the case of forced evacuation

The gas supply to the appliance must be directly servo-controlled by the system and must stop if the flow rate drops below the values indicated in point 4.3 of the UNI-CIG 8723 standard. Resetting the gas supply to the appliance must be possible only by hand.



- 1 Extractor hood
- 2 Servo system

- "B11" type devices (See data plate)

Natural evacuation (fig.3)

Connection to an efficient natural draft fume stack by means of a windproof connection, with discharge of combustion products directly to the outside

Forced evacuation (fig.4)

The gas supply to the appliance must be directly servo-controlled by the forced evacuation system and must stop if the flow rate drops below the values indicated in point 4.3 of the UNI-CIG 8723 standard. Resetting the gas supply to the appliance must be possible only by hand. If the installation is under a hood, the terminal part of the appliance's exhaust pipe must be at least 1.8 meters from the appliance's support surface (ground). The outlet section of the exhaust pipes for combustion products must be placed within the perimeter in relation to the hood itself.

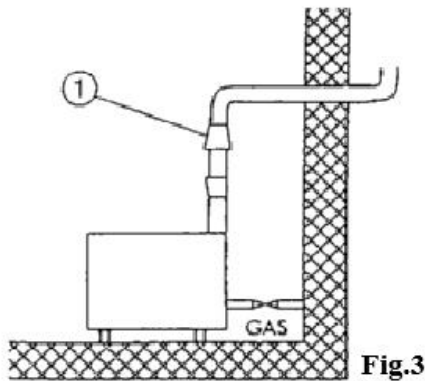


Fig.3

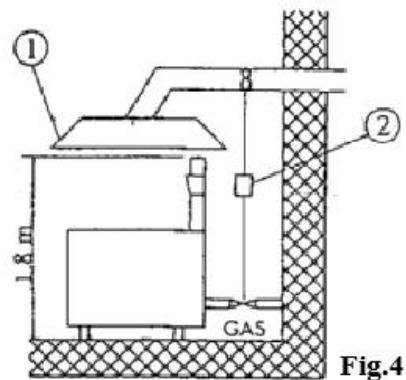


Fig.4

- 1 Windproof fume stack (fig.3) - Extractor hood (fig.4)
- 2 Servo system

"B11" type appliances are supplied on request with a hood or a hood and windproof fume stack to be assembled and delivered separately.

3.5 Hydraulic connection - Water inlet

- The cookers are equipped with an inlet-water connection located on the rear of the appliance. Always fit a cut-off valve an easily operated control between the appliance and the water supply mains. It is also advisable to install a cartridge filter on the water inlet pipe
- The water connection must always be implemented with cold water
- **Pressure:** between 150 and 500 KPa (1.5÷5 bar)

3.6 Hydraulic connection - Water outlet

- The cookers are equipped with a water drain located on the rear of the appliance; the hydraulic connection must be made directly on the end of the stainless steel drain pipe
- The discharge must not have a siphon and must has rigid pipes resistant to a temperature of 100 °C
- The diameter of the exhaust pipe absolutely must not be reduced and its pipe must be at atmospheric pressure, with a suitable funnel-shaped air intake

4 BURNERS TECHNICAL DATA TABLE (ITGB)

4.1 Burners technical data table

	12.68 kWh/KG G30 BUTANE 30 mbar	12.87 kWh/KG G31 PROPANE 37 mbar	9.45 kWh/m3st. G20 METHANE H 20 mbar
Burner max 5,5 kW-min 1.55 kW			
Burner injector 1/100 mm	115	115	175
Minimum adjustment 1/100 mm	60	60	adjustable
Pilot injector 1/100 mm	20	20	35
Consumption	kg/h 0.443	kg/h 0.427	m3 st./h 0.582
Primary air h = mm	open	open	16
Burner max 8.5 kW-min 2.5 kW			
Burner injector 1/100 mm	145	145	215
Minimum adjustment 1/100 mm	75	75	adjustable
Pilot injector 1/100 mm	20	20	35
Consumption	kg/h 0.670	kg/h 0.660	m3 st./h 0.899
Primary air h = mm	12	12	12
Oven burner max 7.3 kW-min 2.2 kW			
Burner injector 1/100 mm	145	145	205
Minimum adjustment 1/100 mm	75	75	adjustable
Pilot injector 1/100 mm	1 x 19	1 x 19	1 x 27
Consumption	kg/h 0.576	kg/h 0.567	m3 st./h 0.772
Primary air h = mm	12	12	12

5 INSTRUCTIONS FOR USE

5.1 General information

This appliance must only be used for its expressly intended purpose for cooking or heating food. Any other use is considered improper. The appliance is also intended for industrial use and **must only be used by personnel trained for use and aware of the risks that the hot element entails.**

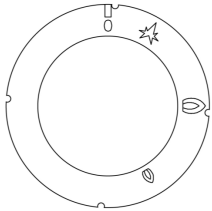



Warning


The appliance operates at high temperatures, so the following is necessary:

- *Pay attention to the areas surrounding the hot surface during routine normal operation (danger of scalding);*
- ***RISK OF BURNS*** *Do not touch hot surfaces floor with your hands or other parts of the body to avoid burns caused by high temperatures;*
- *After switching off the appliance, wait for a sufficient time for it to cool before carrying out any cleaning or maintenance operation.*

5.2 Lighting and adjusting the open rings



The corresponding burner marked on the index is indicated above each knob on the front panel 



- Place gas knob in position  and hold it pressed for a few seconds. Simultaneously, move an igniter close to the pilot to ignite it




Note

The flame might go out, in which case the procedure must be repeated.

5.3 Starting the main burner and adjusting the temperature

- Turn the knob into position  to set the burner to maximum
- Turn the knob into position  to set the burner to minimum

5.4 Switching the main burner off

- Turn the knob into position . The burner turns OFF and only the pilot flame remains ON

5.5 Turning the appliance off

- Press and turn the gas cock knob to position "0". This control blocks the gas supply to both the main burner and the pilot burner

5.6 Lighting and regulating gas oven burner



To switch ON, turn the knob to the left from the "0" position into the ★ position; hold the knob pressed and activate the button with the ⚡ symbol until the pilot lights up

- Ignition of the flame can be checked through the inspection hole on the bottom of the oven



Note

The flame might go out, in which case the procedure must be repeated.

- Set the knob to the desired temperature position
- Turn the knob into position ★ . The burner turns OFF and only the pilot flame remains ON
- Press and turn the gas cock knob to position "0". This control blocks the gas supply to both the main burner and the pilot burner

MECHANICAL TIMER



The cookers have an acoustic timer that can signal a maximum time of 120 minutes. Turn the knob to the right, position it to the preselected time, between 0 and 120 minutes (see figure); once the set time has elapsed, the acoustic timer activates



Caution

When the oven is operating, the door must not remain open as it could overheat and damage the knobs and the protective plates

6 MAINTENANCE

6.1 Routine

When using the appliance over time, it is essential to perform regular maintenance to ensure safe operation. We therefore recommend stipulating a service contract.



Caution

Maintenance must only be performed by specialist personnel in compliance with current regulations and our own instructions.

Before carrying out any maintenance and/or cleaning operation:

- Disconnect the appliance from the mains power supply and/or close the gas.
- Wait for a sufficient time for the appliance to cool down.
- Do not wash the appliance with direct or high-pressure jets of water, since any infiltration of water into the electrical components could jeopardise correct operation of the appliance and its safety systems.



Warning

For maintenance/replacement of components, order and use only original spare parts.

Replacing parts must exclusively be performed by authorised and/or qualified personnel. When replacing the electrical components of the machine and the electrical panels, scrupulously follow the technical characteristics for the replacement component indicated on the component itself. The appliance does not require any special maintenance but during the use of the equipment it is advisable to check the following at least once a year (possibly increasing the frequency depending on the degree of use):

- The status of connections especially on the terminal board and the power supply cable, as well as the status of the gas connections;
- The operating condition of the various components (perform a functional test);
- For appliances fitted with rotary resistances, remove the hub, grease it and replace the three o-ring seals to avoid possible leaks.

6.2 Changing the open ring nozzles (fig. C)

- Remove the grills, burners and pans. Use 12 wrench to replace the nozzles with the appropriate ones and adjust the primary air (h) (see the "burners" technical data table) by unscrewing the locking screw
- After setting the adjustment, lock the screw, set the minimum by turning the screw to the right or left until heat reaches 1.55 kW for the 5.5 kW burner and 2.5 kW for the 8.5 kW burner

6.3 Substituting the nozzle in the pilot burner (fig. D)

- Remove the grills, burners and pans; using an 8 wrench loosen the nozzle holder and an 11 wrench to unscrew the bottom of the nozzle holder, use a slotted screwdriver unscrew the pilot nozzle and replace it with an appropriate one, tightening it fully
- Reassemble everything and adjust the air using the adjusting bushing until the pilot flame is steady and has an intense blue colour




Warning

After conversion to another type of gas, update the technical data plate to indicate the type of gas for which the appliance has been converted.

6.4 Substituting the nozzle in the oven burner

- Remove the base of the oven
- Unscrew the screws securing the burner nozzle guard
- Replace the nozzle using a suitable wrench (see the "burners" technical data table)
- Set the air adjustment bush to the corresponding value in the "technical data" table by unscrewing the locking screw complete with locknut, adjust the minimum by turning the screw to the right or left until the heat output is 2.2 kW. This procedure is only possible after having operated the oven burner for no more than about 20 minutes (knob in pos.300)
- After completing this procedure, refit the burner nozzle guard
- Use an appropriate wrench to replace the pilot nozzle
- After the adjustment, check ignition at maximum and minimum settings. Make sure that the flame, on passing rapidly from maximum to minimum, does not present problems and that it does not go out after closing or opening the oven door quickly

6.5 Minimum setting

- After conversion to use another type of gas, or if a flame is too high when the knob is in position  (small flame), adjust the minimum setting by turning the by-pass screw. For operation with LPG, the by-pass must be completely closed; for operation with natural gas, it must first be closed and then opened by 1/4 turn

6.6 Spare parts

It is possible to replace parts such as the gas tap, thermocouple, spark plug or the gas pipes simply and quickly.

To replace such parts, proceed as follows:

- **GAS TAP:** after disassembling the front panel, unscrew the gas connection screw couplings, remove the coupling, replace the faulty parts and install the new ones in sequence
- **THERMOCOUPLE:** unscrew the pilot burner coupling, unscrew the gas tap coupling in the same way and replace the element
- **SPARK PLUG:** unscrew the coupling, remove the damaged one and replace it.



Caution

WHAT TO DO IN THE EVENT OF FAULTS:

Close the gas connection cock and/or switch off the power using the up-line device. Notify customer service.



Warning

MEASURES TO BE TAKEN IF THE APPLIANCE IS NOT TO BE USED FOR A LONG TIME:

Close the gas cock and/or disconnect the power supply. Clean the system as specified above.

7 CLEANING

7.1 Routine cleaning

**Caution**

The use of flammable fluids to clean the appliance is forbidden

To ensure hygiene and the durability of the appliance, perform external cleaning on a regular basis, taking care not to damage the cables and the electrical connections. Before starting cleaning, disconnect the appliance from the power supply. Parts in steel can be washed with warm water and a neutral detergent: Rinse them thoroughly to eliminate all traces of detergent and then dry with a dry cloth. Do not use abrasive and corrosive detergents. Enamelled parts must be washed with soapy water. For appliances that included an oven, cleaning it is made easier by removing the support grid. Thorough, daily cleaning prevents faults and accumulated deposits of fat and/or food. The steels used in the manufacture of professional equipment are tried and tested materials of the highest quality. Thanks to their characteristics, they are ideal materials for use with food substances.

Consequently, when using stainless steel appliances, the following suggestions must be observed:

- Stainless steel surfaces must always be kept clean, also ensuring contact with the air. The lack of oxygen under layers of scale, starch, egg white or other deposits means that surfaces can be affected by corrosion
- Do not use products containing salt or sulphuric acid to remove scale. Suitable products are available commercially but a diluted solution of acetic acid can also be used
- To clean STAINLESS STEEL appliances, it is advisable to use detergents specifically formulated for this material. For "minor cleaning", a mild washing up liquid solution may also be used
- **Do not wash the appliance with jets of water under pressure**
- Avoid using detergents containing abrasive powders or bleaches of any kind
- Lockable stainless steel appliances, during periods of inactivity, must be left uncovered so that air can freely access internal metal surfaces
- Stainless steel must not remain in contact for long periods with concentrated acids or with aromatised concentrates such as salt solutions, mustard, spice mixtures or the like. At certain temperatures and concentrations, these substances can damage the passive layer. Contact surfaces must therefore be immediately rinsed with clean water and then dried
- It is inadvisable to use stainless steel pots exclusively to cook foods in salt water (pasta, rice, potatoes, etc.). From time to time, these pots must also be used to cook foods containing fats or vegetables. This helps to prevent damage caused by corrosion
- After cooking foods in salt water, rinse the tanks with fresh water since salt water residues from cooking form layers of highly concentrated saline solution that can cause spotting corrosion
- To prevent so-called secondary corrosion, prolonged contact of stainless steel with ferritic steels should be avoided
- Any secondary corrosion spots must be eliminated immediately
- Do not use sharp objects that may scratch stainless steel parts and consequently give rise to deterioration